

Service
Service
Service



Service Manual

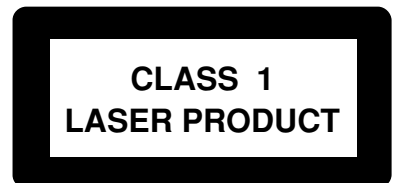


TABLE OF CONTENTS

	Page
Location of pc boards & Version variations	1-2
Technical Specifications	1-3
Measurement setup	1-4
Service Aids, Safety Instruction, etc.	1-5
Disassembly Instructions & Service positions	2
Service Test Program	3-1
Region code, Software version & upgrades	3-2
Set Block diagram	4-1
ECO Board	5
Front Board	6
AV Board	7
Module SD6.1 PL 6CH	8
Set Mechanical Exploded view & parts list	9
PSU Board (For Information only)	10
Revision List	11

© Copyright 2004 Philips Consumer Electronics B.V. Eindhoven, The Netherlands
All rights reserved. No part of this publication may be reproduced, stored in a retrieval system or transmitted, in any form or by any means, electronic, mechanical, photocopying, or otherwise without the prior permission of Philips.

Published by BB 0413 Service Audio Printed in The Netherlands Subject to modification



3139 785 30651

Version 1.1



PHILIPS

SPECIFICATIONS

GENERAL:

Mains voltage : 120V for /17
 220-240V for /00/02/05
 110-127V/220-240V for /69/75

Mains frequency : 50/60Hz

Power consumption : < 14W
 < 0.3W at Standby mode /00/02/05
 < 1W at Standby mode /69/75

Dimension centre unit : 435 x 46 x 310mm

AUDIO PERFORMANCE:

Normal Mode Stereo L/R

Output Voltage : 2V_{rms} ± 1.5dB

Channel Unbalance (1kHz) : < 0.85dB

Crosstalk : > 100dB (1kHz)
 > 95dB (20Hz-20kHz)

Freq. Response (20Hz-20kHz) : ± 0.2dB max

Signal to Noise Ratio : > 90dB (A-weighted)

Distortion and Noise : > 85dB (1kHz)
 > 80dB (20Hz-2kHz)
 > 75dB (4kHz-20kHz)

6 Channel

THD + Noise : > 80dB (20Hz-2kHz)
 > 75dB (4kHz-20kHz)

Crosstalk (20Hz-20kHz) : > 75dB

S/N (1kHz) : > 90dB

Frequency Response : ± 0.5dB

Output Level, 1kHz (0dB) : 2V_{rms}

AUDIO FORMAT:

MPEG/AC-3/PCM : Compressed Digital
 16, 20, 24 bits
 fs, 44.1, 48, 96 kHz

MP3 (ISO 9660) : 96, 112, 128, 256 kbps & variable
 bit rate fs, 32, 44.1, 48 kHz

VIDEO FORMAT:

Digital Compression : MPEG-2 for DVD, SVCD
 MPEG-1 for VCD
 MPEG-4

VIDEO PERFORMANCE:

CVBS ¹⁾ : 1.0V_{p-p}

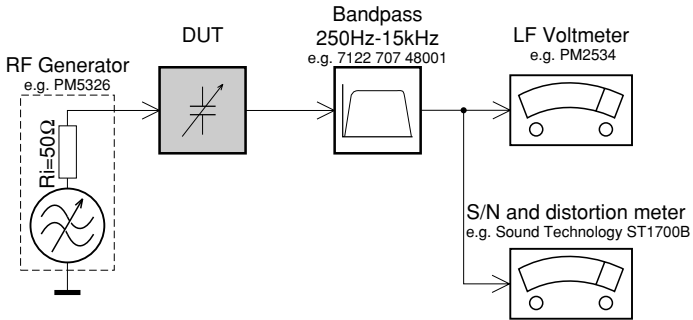
YPbPr ¹⁾ : 0.7V_{p-p}

RGB (Scart) ¹⁾ : 0.7V_{p-p}

¹⁾ Output terminals to be terminated with 75Ω

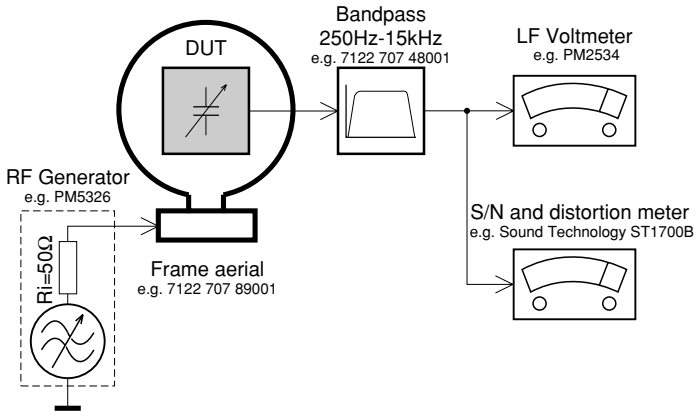
MEASUREMENT SETUP

Tuner FM



Use a bandpass filter to eliminate hum (50Hz, 100Hz) and disturbance from the pilotone (19kHz, 38kHz).

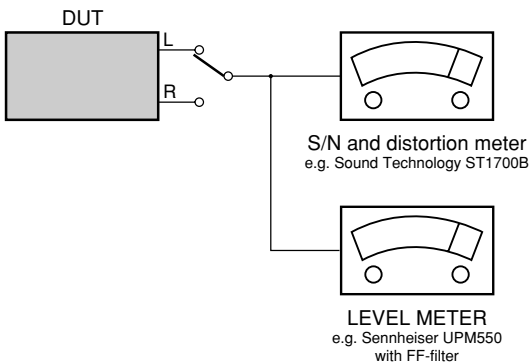
Tuner AM (MW,LW)



To avoid atmospheric interference all AM-measurements have to be carried out in a Faraday's cage.
Use a bandpass filter (or at least a high pass filter with 250Hz) to eliminate hum (50Hz, 100Hz).

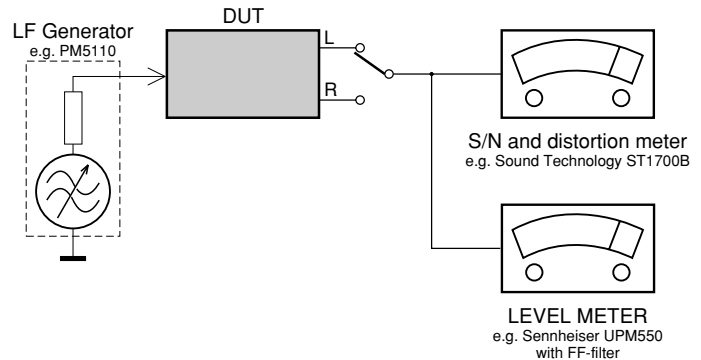
CD

Use Audio Signal Disc SBC429 4822 397 30184
(replaces test disc 3)



Recorder

Use Universal Test Cassette **CrO2** SBC419 4822 397 30069
or Universal Test Cassette **Fe** SBC420 4822 397 30071



SERVICE AIDS

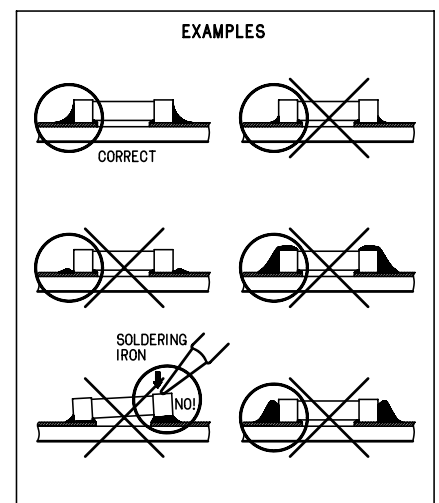
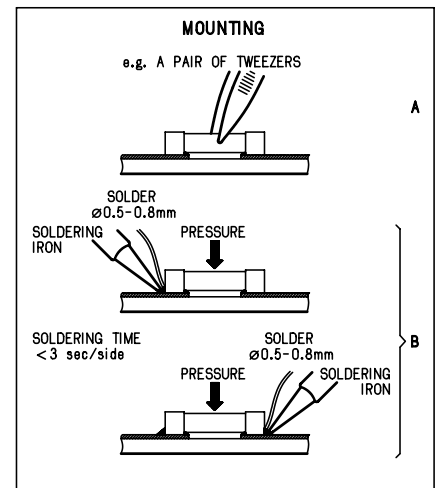
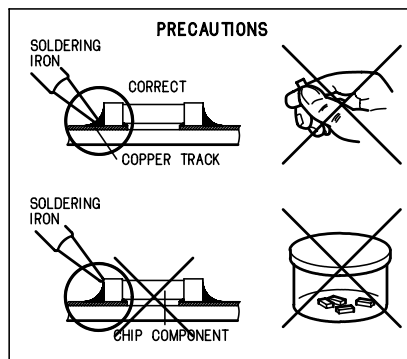
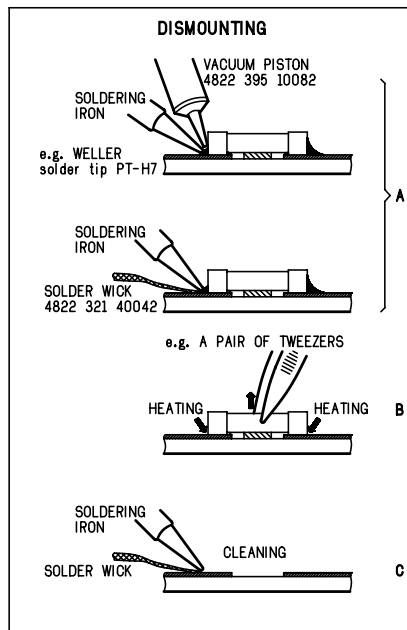
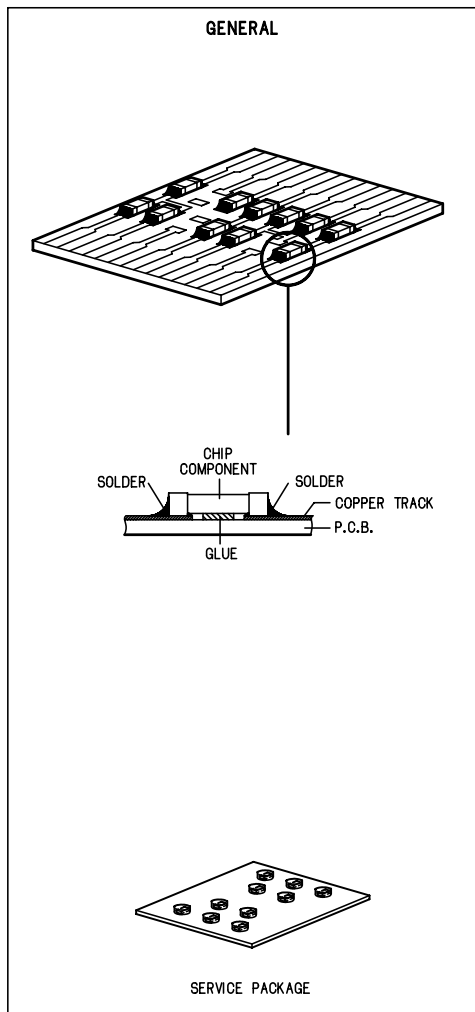
Service Tools:

Universal Torx driver holder	4822 395 91019
Torx bit T10 150mm	4822 395 50456
Torx driver set T6 - T20	4822 395 50145
Torx driver T10 extended	4822 395 50423

Compact Disc:

SBC426/426A Test disc 5 + 5A	4822 397 30096
SBC442 Audio Burn-in Test disc 1kHz	4822 397 30155
SBC429 Audio Signals disc	4822 397 30184
Dolby Pro-logic Test Disc	4822 395 10216

HANDLING CHIP COMPONENTS



(GB) WARNING

All ICs and many other semi-conductors are susceptible to electrostatic discharges (ESD). Careless handling during repair can reduce life drastically.

When repairing, make sure that you are connected with the same potential as the mass of the set via a wrist wrap with resistance. Keep components and tools also at this potential.

ESD**(NL) WAARSCHUWING**

Alle IC's en vele andere halfgeleiders zijn gevoelig voor electrostatische ontladingen (ESD). Onzorgvuldig behandelen tijdens reparatie kan de levensduur drastisch doen verminderen. Zorg ervoor dat u tijdens reparatie via een polsband met weerstand verbonden bent met hetzelfde potentiaal als de massa van het apparaat.

Houd componenten en hulpmiddelen ook op hetzelfde potentiaal.

(F) ATTENTION

Tous les IC et beaucoup d'autres semi-conducteurs sont sensibles aux décharges statiques (ESD).

Leur longévité pourrait être considérablement écourtée par le fait qu'aucune précaution n'est prise à leur manipulation.

Lors de réparations, s'assurer de bien être relié au même potentiel que la masse de l'appareil et enfilez le bracelet serti d'une résistance de sécurité.

Veiller à ce que les composants ainsi que les outils que l'on utilise soient également à ce potentiel.

(D) WARNUNG

Alle ICs und viele andere Halbleiter sind empfindlich gegenüber elektrostatischen Entladungen (ESD).

Unvorsichtige Behandlung im Reparaturfall kann die Lebensdauer drastisch reduzieren.

Veranlassen Sie, dass Sie im Reparaturfall über ein Pulsarmband mit Widerstand verbunden sind mit dem gleichen Potential wie die Masse des Gerätes.

Bauteile und Hilfsmittel auch auf dieses gleiche Potential halten.

(I) AVVERTIMENTO

Tutti IC e parecchi semi-conduttori sono sensibili alle scariche statiche (ESD).

La loro longevità potrebbe essere fortemente ridotta in caso di non osservazione della più grande cauzione alla loro manipolazione.

Durante le riparazioni occorre quindi essere collegato allo stesso potenziale che quello della massa dell'apparecchio tramite un braccialetto a resistenza.

Assicurarsi che i componenti e anche gli utensili con quali si lavora siano anche a questo potenziale.

(GB) ESD PROTECTION EQUIPMENT:

Complete Kit ESD3 (small tablemat, wristband, connection box, extension cable and earth cable) 4822 310 10671
Wristband tester 4822 344 13999

(GB)

Safety regulations require that the set be restored to its original condition and that parts which are identical with those specified, be used

Safety components are marked by the symbol \triangle .

(NL)

Veiligheidsbepalingen vereisen, dat het apparaat bij reparatie in zijn oorspronkelijke toestand wordt teruggebracht en dat onderdelen, identiek aan de gespecificeerde, worden toegepast.

De Veiligheidsonderdelen zijn aangeduid met het symbool \triangle .

(F)

Les normes de sécurité exigent que l'appareil soit remis à l'état d'origine et que soient utilisés les pièces de rechange identiques à celles spécifiées.

Less composants de sécurité sont marqués \triangle .

(D)

Bei jeder Reparatur sind die geltenden Sicherheitsvorschriften zu beachten. Der Originalzustand des Geräts darf nicht verändert werden; für Reparaturen sind Original-Ersatzteile zu verwenden.

Sicherheitsbauteile sind durch das Symbol \triangle markiert.

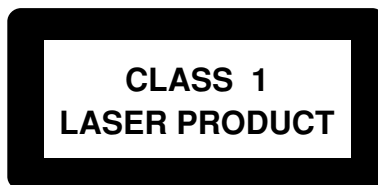
(I)

Le norme di sicurezza esigono che l'apparecchio venga rimesso nelle condizioni originali e che siano utilizzati i pezzi di ricambio identici a quelli specificati.

Componenti di sicurezza sono marcati con \triangle .

(GB)

After servicing and before returning set to customer perform a leakage current measurement test from all exposed metal parts to earth ground to assure no shock hazard exist. The leakage current must not exceed 0.5mA.

**(GB) Warning !**

Invisible laser radiation when open.
Avoid direct exposure to beam.

(S) Varning !

Osynlig laserstrålning när apparaten är öppnad och spärren är urkopplad. Betrakta ej strålen.

(SF) Varoitus !

Avatussa laitteessa ja suoalukituksen ohitettaessa olet alltiina näkymättömälle laserisäteilylle. Älä katso säteeseen!

(DK) Advarse !

Usynlig laserstrålning ved åbning når sikkerhedsafbrydere er ude af funktion. Undgå udsættelse for strålning.

(F)

"Pour votre sécurité, ces documents doivent être utilisés par des spécialistes agréés, seuls habilités à réparer votre appareil en panne".

DISMANTLING INSTRUCTIONS

Dismantling of the DVD Loader

- 1) The tray can be manually open by inserting a minus screw driver and push the lever in the direction as shown in Figure 1 to unlock the tray before sliding it out.
- 2) Slide out the tray and remove the Tray Front assembly (pos 110 + pos 111) as shown in Figure 2.
- 3) Loosen 5 screws to remove the Cover Top (pos 240).
 - 1 screw each on the left & right side
 - 3 screws on the rear
- 4) Loosen 4 screws B (see Figure 4) to remove the DVD Loader.

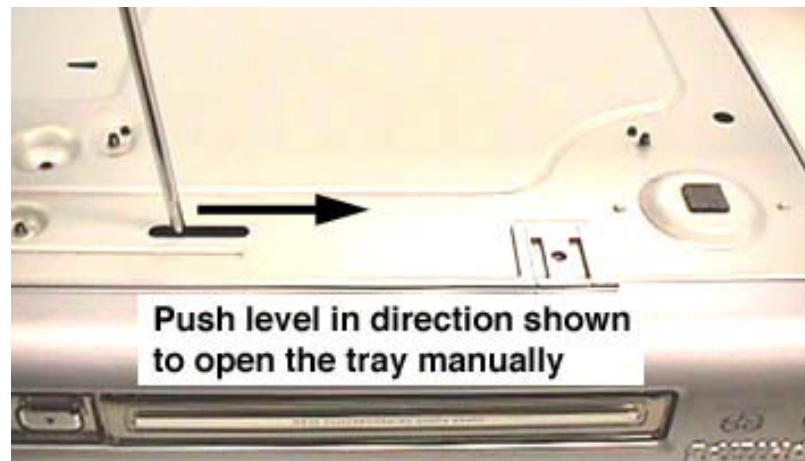


Figure 1

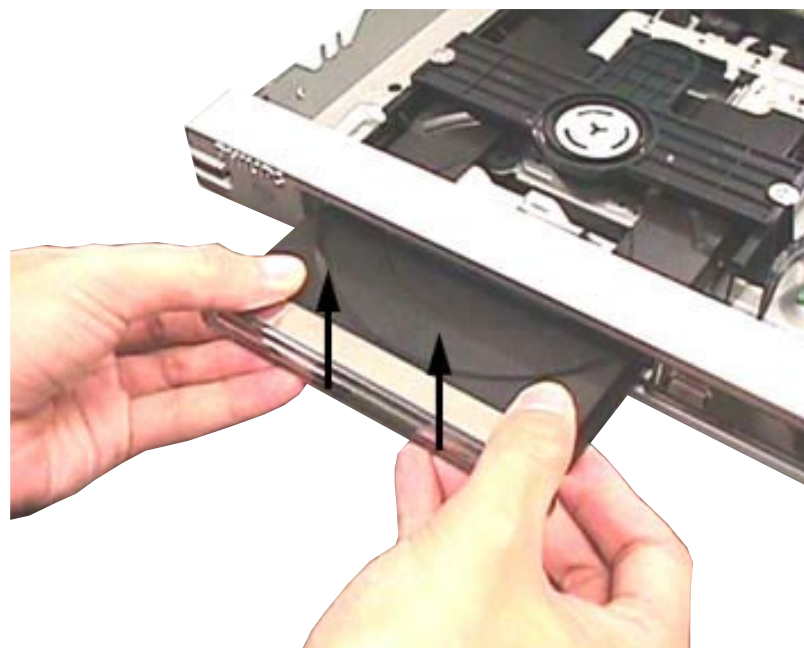


Figure 2

Dismantling of the AV Board, SD6.1 PL 6CH Board and PSU Board

- 1) Loosen 7 screws A (see Figure 3) and uncatch 2 catches C1 (see Figure 4) to remove the AV Board (pos 1001).
- 2) Loosen 4 screws D (see Figure 4) to remove the SD6.1 PL 6CH Board.
- 3) Loosen 2 screws E and uncatch C2 (see Figure 4) to remove the PSU Board (pos 1004).



Figure 3

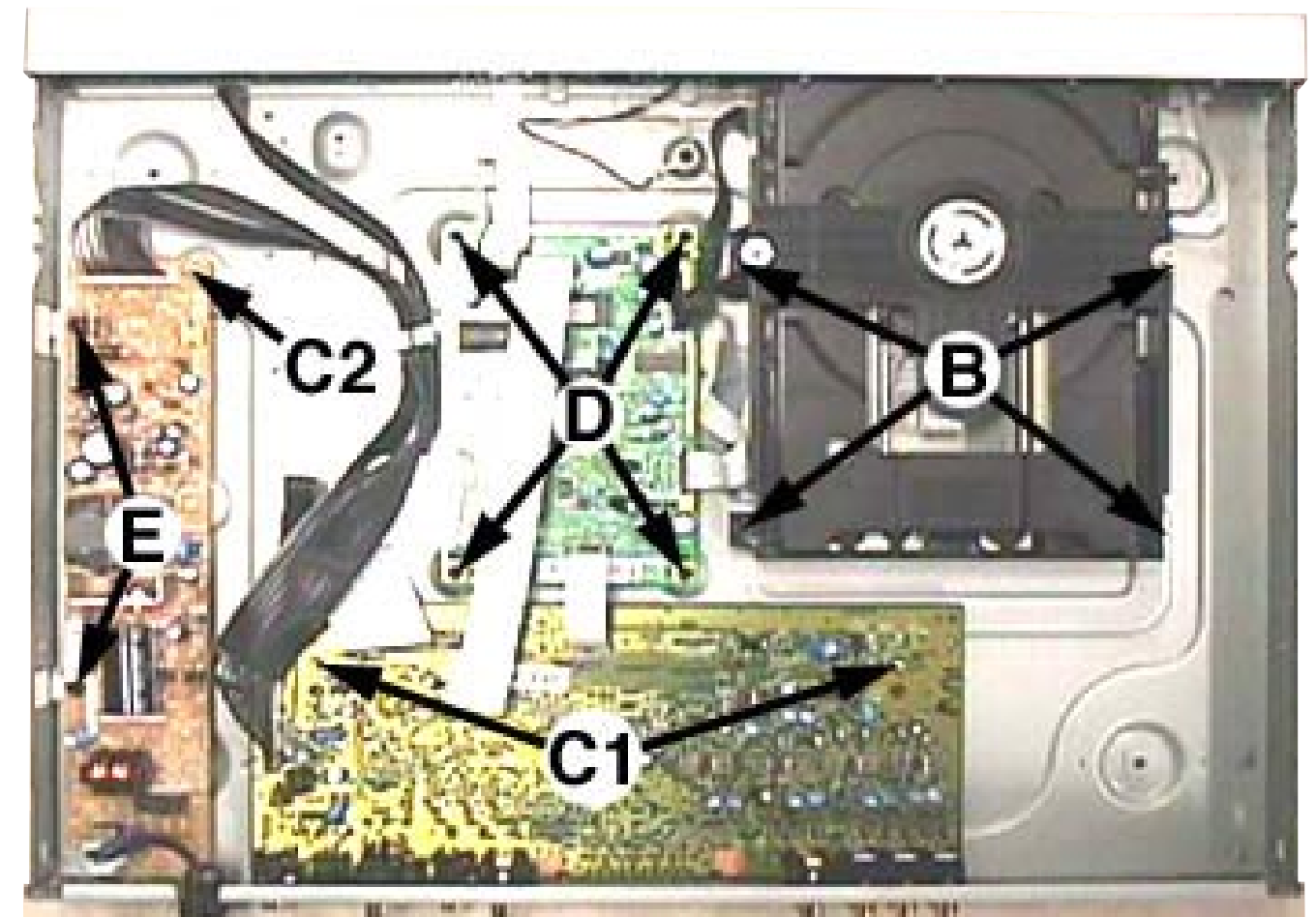
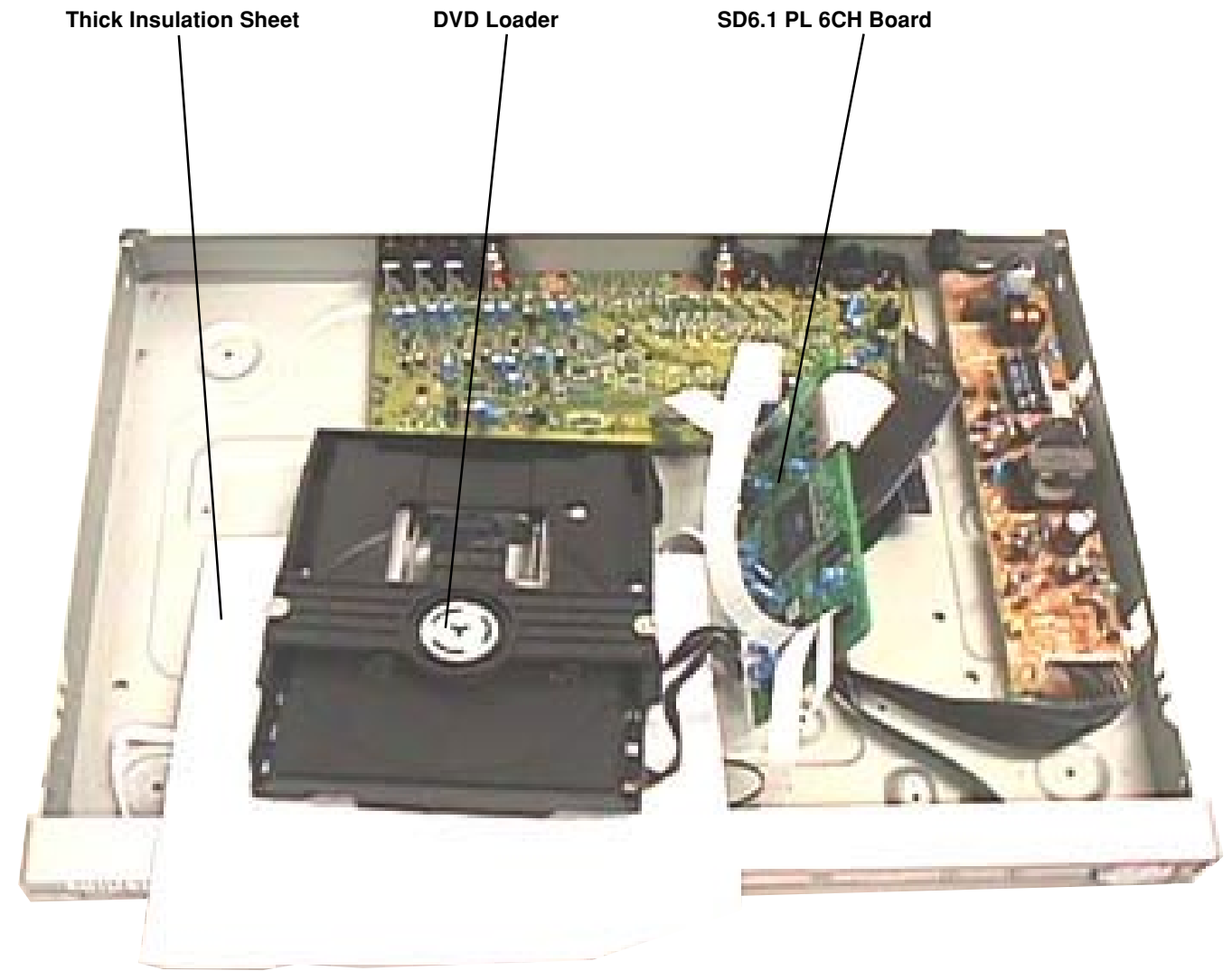
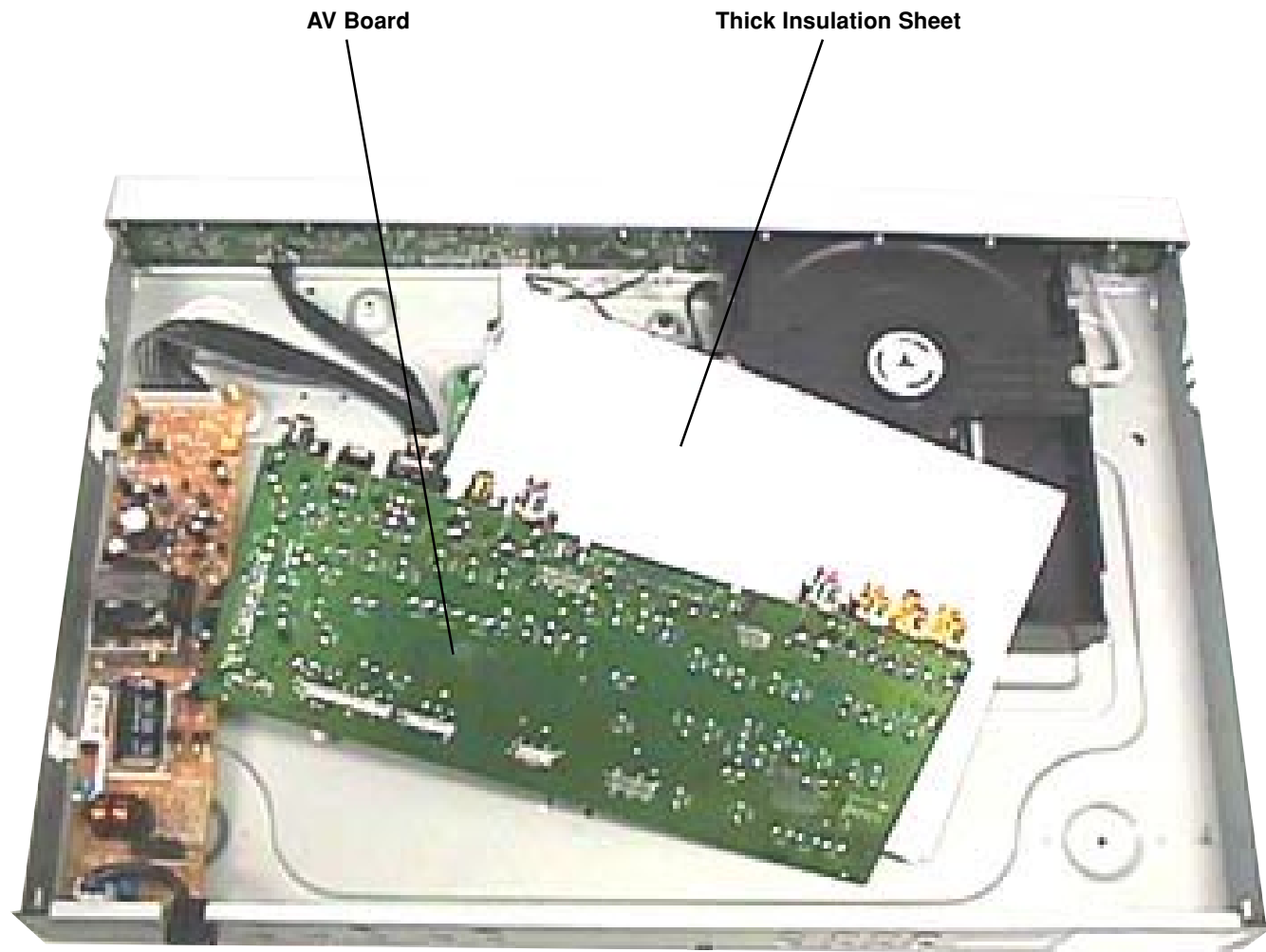
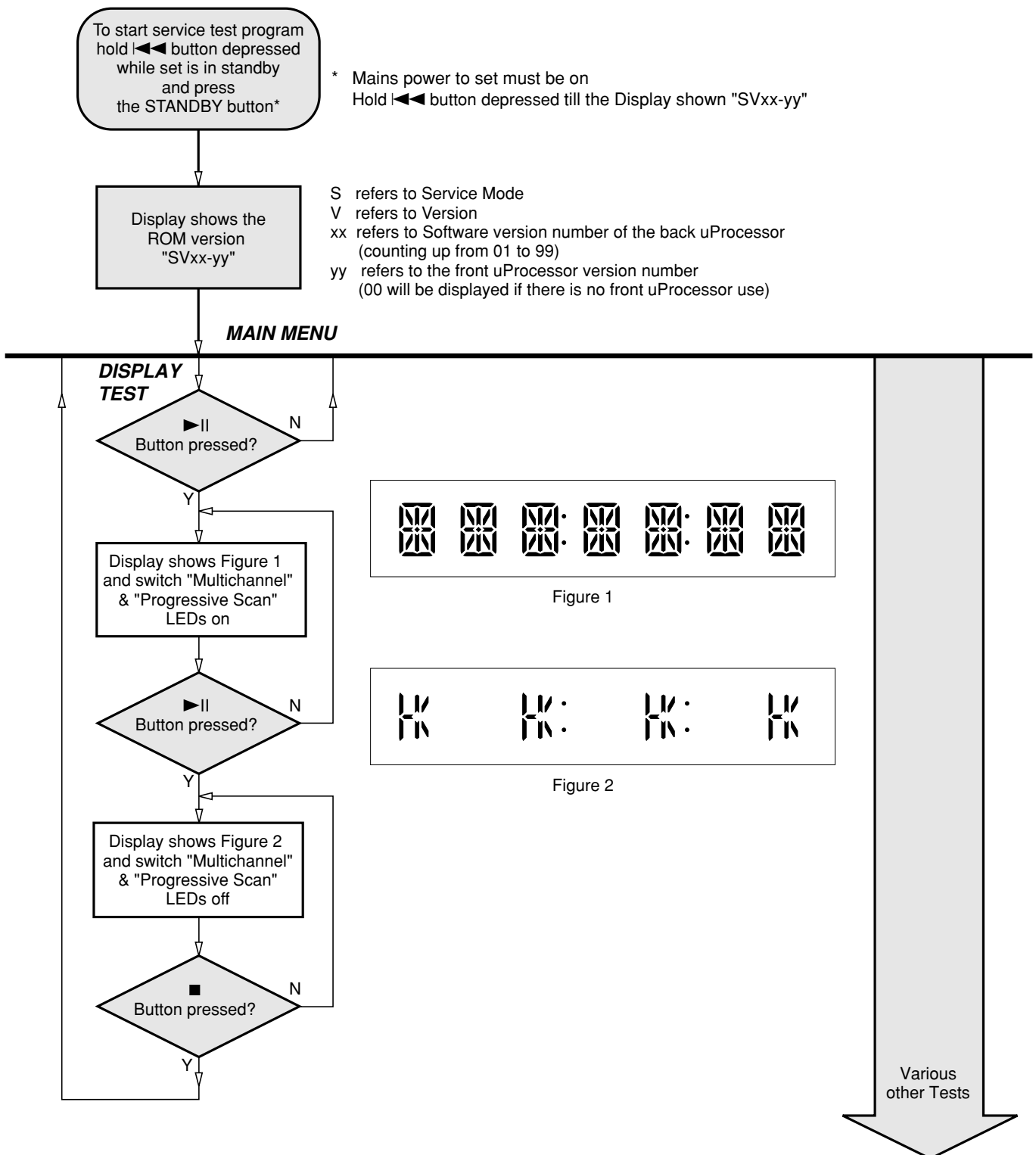


Figure 4

SERVICE POSITIONS



SERVICE TEST PROGRAM



TEST	Activated with	ACTION
EEPROM FORMAT TEST	 to Exit	Load default data. Display shows "NEW". Caution! All presets from the customer will be lost!!
LEAVE SERVICE TEST PROGRAM	Disconnect mains cord	

Reprogramming of DVD version Matrix

After repair, the customer setting and region code may be lost. Reprogramming will put the set back in the state in which it has left the factory, ie. with the default setting and the allowed region code.

To reprogram do as follows:

- 1) Power up the set.
- 2) Open tray by press "OPEN/CLOSE" button on the set or press and hold "STOP" button on the RC.
- 3) Press the following buttons on the Remote Control:
 - <9> <9> <9> <9> <AUDIO> <1> for DVP720SA/00
 - <9> <9> <9> <9> <AUDIO> <2> for DVP720SA/17
 - <9> <9> <9> <9> <AUDIO> <3> for DVP720SA/02
 - <9> <9> <9> <9> <AUDIO> <4> for DVP720SA/05
 - <9> <9> <9> <9> <AUDIO> <5> for DVP720SA/69
 - <9> <9> <9> <9> <AUDIO> <6> for DVP720SA/75
 - <9> <9> <9> <9> <AUDIO> <7> for DVP720SA/78
- 4) The display shows 'YYYY-ZZ' and the tray will close.
 - YYYY = model number (eg. 0720, 3900, etc.)
 - ZZ = stroke version (eg. 00, 02, 05, etc.)

Procedure for check Software version

- 1) Power up the set.
- 2) Open tray by press "OPEN/CLOSE" button on the set or press and hold "STOP" button on the RC.
- 3) Press "DISPLAY" button on the Remote control.
- 4) The TV screen will shows:
 - SD6.1 Vxx YYYY-ZZ P QQ**
 - SERVO: GGGGGGGG REG:D**
 - xx = version number
 - YYYY = model number (eg. 0720, 3900, etc.)
 - ZZ = stroke version (eg. 00, 02, 05, etc.)
 - P / D = region code
 - QQ = version number of front uProcessor
 - GGGGGGGG = version for servo code

Procedure to upgrade software

- 1) Power up the set.
- 2) Open tray by press "OPEN/CLOSE" button on the set or press and hold "STOP" button on the RC.
- 3) Place upgrade CD-ROM onto tray and close.
- 4) The set will response and display the following:
 - **LOAD** [After the disc is read, the tray will open for you to remove the disc]
 - **ERASE**
 - **WRITE**
 - **ERROR** [if upgrade is unsuccessful]
 - **UPG END -> PHILIPS** [if upgrade is successful]
 - **DISC->CLOSE->LOAD** [Tray will close indicating that the upgrade process is completed]
- 5) The whole process should not take more than 5 minutes.

Caution: Do not unplug the set until upgrade is completed.

Trade Mode

Trade mode is a feature that will block all set keys when enabled. It is for dealers to prevent customers from removing disc, changing source etc using the set keys. Rotary and Remote Control (RC) keys are still allowed in Trade mode.

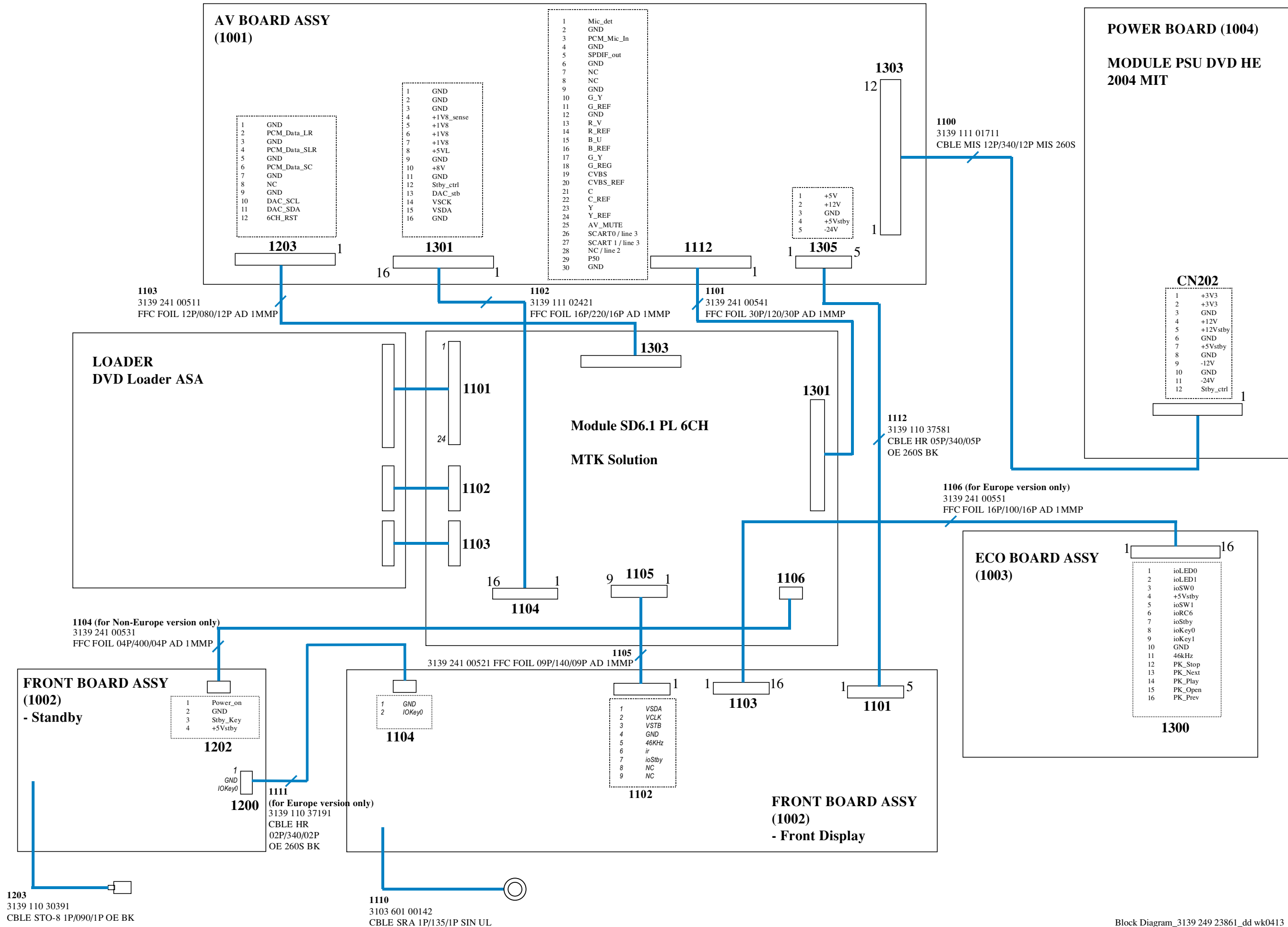
To activate Trade Mode:

- 1) Power up the set.
- 2) Open tray by press "OPEN/CLOSE" button on the set or press and hold "STOP" button on the RC.
- 3) Then press buttons <2> <5> <9> on the RC.
- 4) The display shows '**TRA ON**' and the tray will close. Trade Mode is now enabled.

To deactivate Trade Mode:

- 1) Power up the set.
- 2) Open tray by press and hold "STOP" button on the RC.
- 3) Then press buttons <2> <5> <9> on the RC.
- 4) The display shows '**TRA OFF**' and the tray will close. Trade Mode is now disabled.

SET BLOCK DIAGRAM

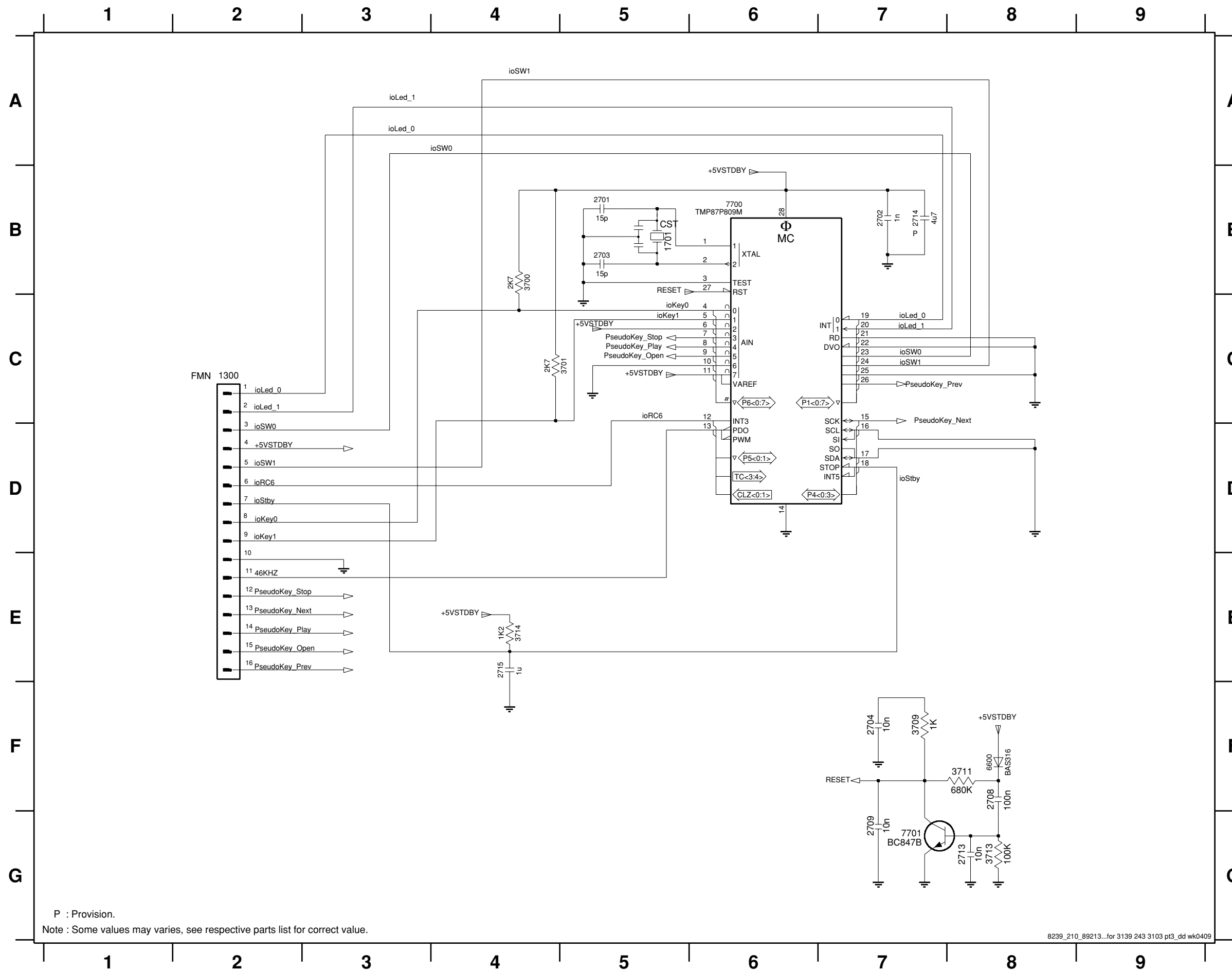


ECO BOARD

TABLE OF CONTENTS

Circuit Diagram	5-2
Component & Chip Layout	5-3
Electrical parts list.....	5-3

ECO BOARD - CIRCUIT DIAGRAM

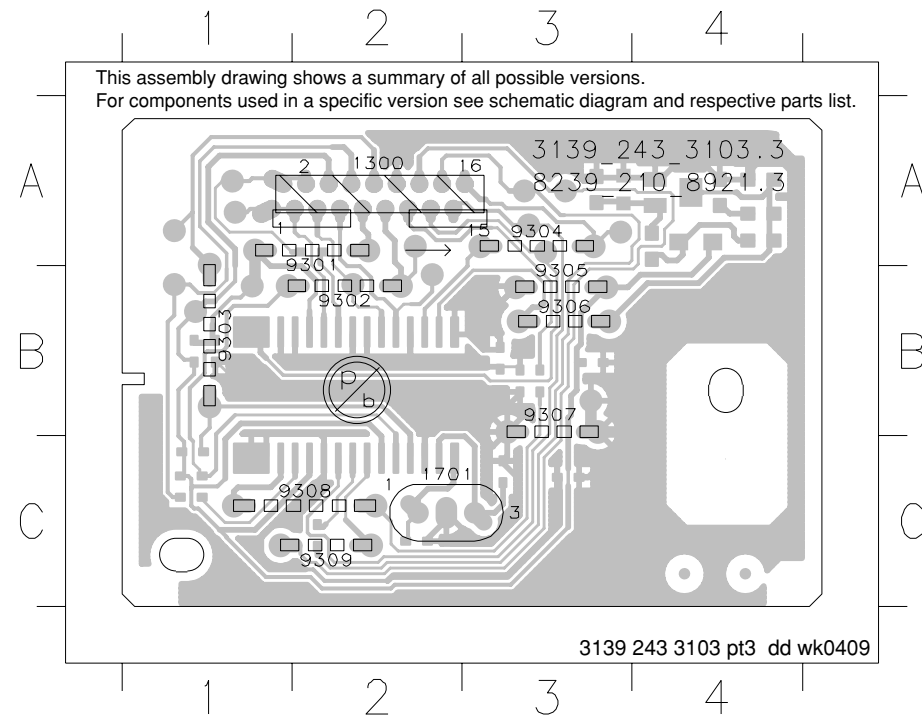


- 1300 C2
- 1701 B5
- 2701 B5
- 2702 B7
- 2703 B5
- 2704 F7
- 2708 F8
- 2709 G7
- 2713 G8
- 2714 B7
- 2715 E4
- 3700 B4
- 3701 C5
- 3709 F7
- 3711 F8
- 3713 G8
- 3714 E4
- 6600 F8
- 7700 B6
- 7701 G7

P : Provision.
 Note : Some values may varies, see respective parts list for correct value.

ECO BOARD - COMPONENT LAYOUT

1300 A2	9302 B2	9305 B3	9308 C2
1701 C2	9303 B1	9306 B3	9309 C2
9301 A2	9304 A3	9307 B3	



ELECTRICAL PARTS LIST - ECO BOARD

MISCELLANEOUS

1300	2422 025 18364	Flex Connector 16P
1701	2422 540 98518	RES CER 8MHz

DIODES

6600	4822 130 11397	BAS316
------	----------------	--------

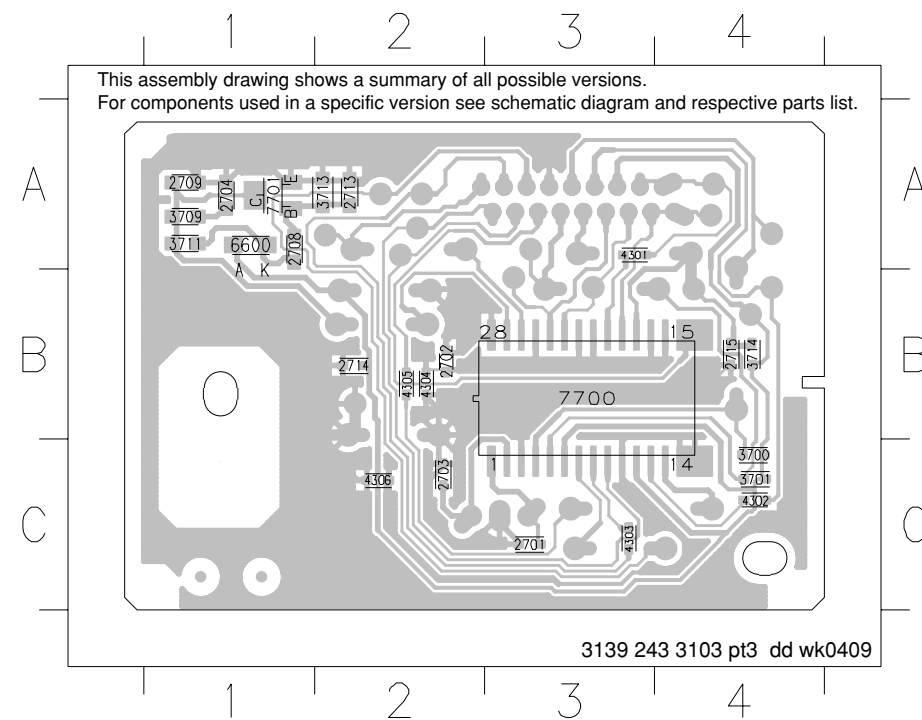
TRANSISTORS & INTEGRATED CIRCUITS

7700	3139 240 50831	TMP87C809BM - 'LX3950S50831'
7701	5322 130 60159	BC847B

Note : Only the parts mentioned in this list are normal service spare parts.

ECO BOARD - CHIP LAYOUT

2701 C3	2709 A1	3701 C4	4301 A3	4306 C2
2702 B2	2713 A2	3709 A1	4302 C4	6600 A1
2703 C2	2714 B2	3711 A1	4303 C3	7700 B3
2704 A1	2715 B4	3713 A2	4304 B2	7701 A1
2708 A1	3700 C4	3714 B4	4305 B2	

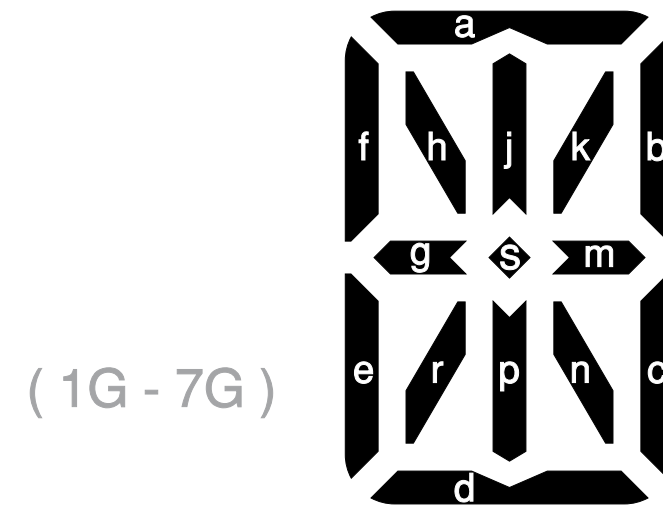
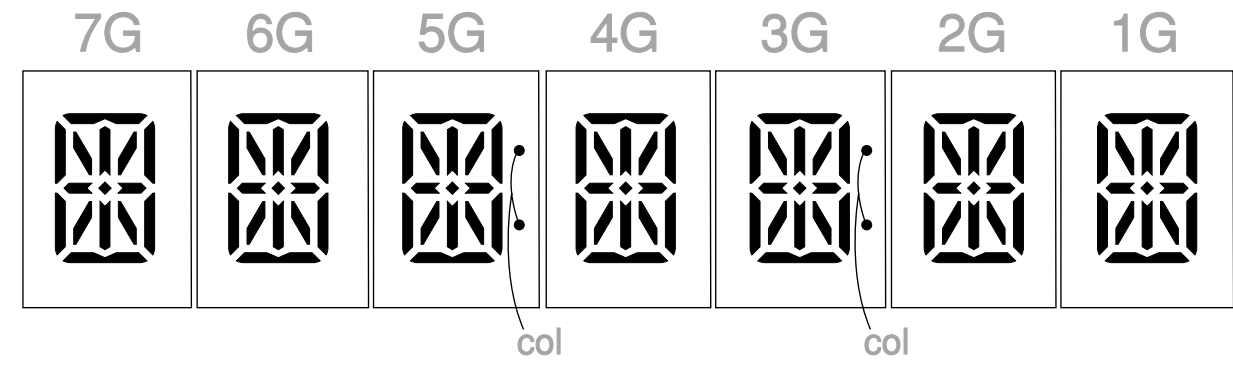


FRONT BOARD

TABLE OF CONTENTS

FTD Display Pin Connection 6-1
 Front Display part - Top & Bottom View Layout 6-2
 Front Display part - Circuit Diagram 6-3
 Standby part - Layout & Circuit diagram 6-4
 Electrical parts list 6-5

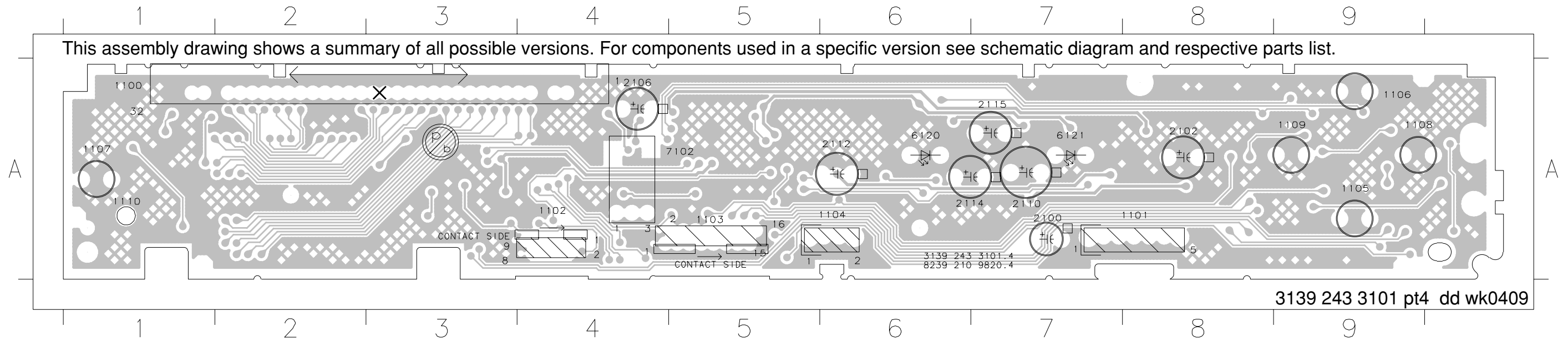
FTD DISPLAY PIN CONNECTION



	7G	6G	5G	4G	3G	2G	1G
P1	a	a	a	a	a	a	a
P2	j, p	j, p	j, p	j, p	j, p	j, p	j, p
P3	h	h	h	h	h	h	h
P4	k	k	k	k	k	k	k
P5	b	b	b	b	b	b	b
P6	f	f	f	f	f	f	f
P7	m	m	m	m	m	m	m
P8	g	g	g	g	g	g	g
P9	c	c	c	c	c	c	c
P10	e	e	e	e	e	e	e
P11	r	r	r	r	r	r	r
P12	n	n	n	n	n	n	n
P13	d	d	d	d	d	d	d
P14	-	-	col	-	col	-	-
P15	s	s	s	s	s	s	s

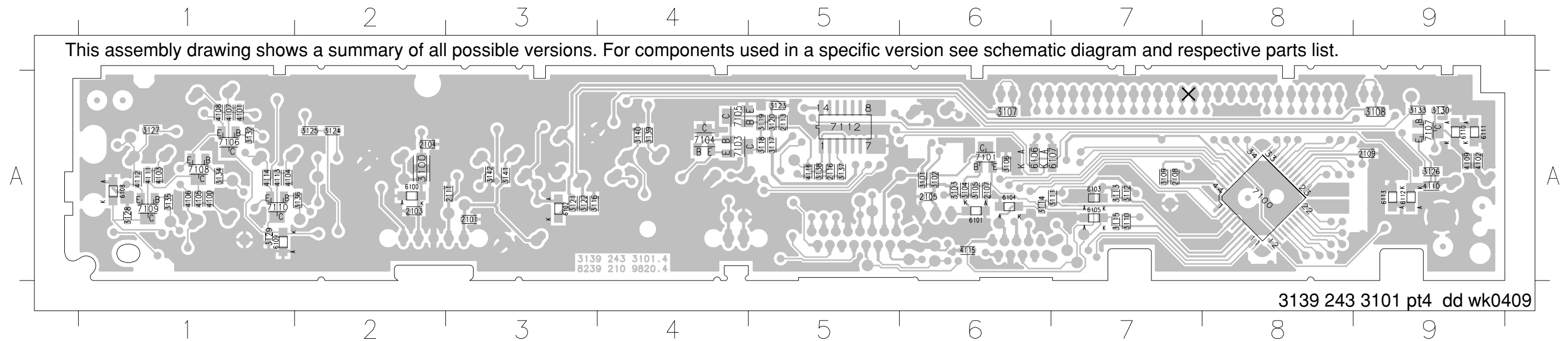
FRONT DISPLAY BOARD - TOP VIEW LAYOUT

1100 A1 1102 A4 1104 A6 1106 A9 1108 A9 1110 A1 2102 A8 2110 A7 2114 A7 6120 A6 7102 A5
 1101 A8 1103 A5 1105 A9 1107 A1 1109 A9 2100 A7 2106 A4 2112 A6 2115 A7 6121 A7

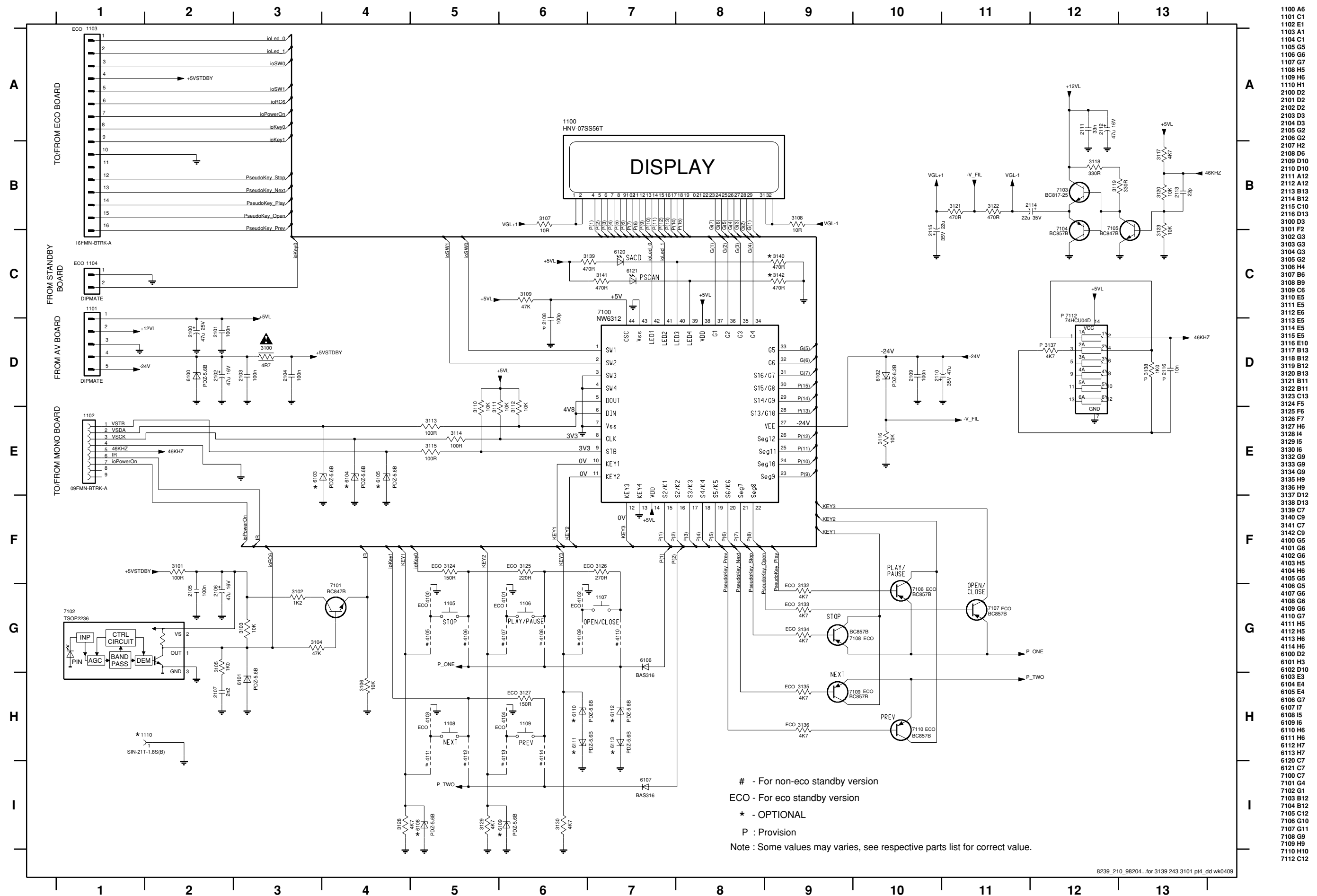


FRONT DISPLAY BOARD - BOTTOM VIEW LAYOUT

2101 A3 2109 A9 3102 A6 3108 A9 3114 A6 3120 A5 3126 A9 3133 A9 3139 A4 4102 A9 4108 A1 4114 A1 6103 A7 6109 A1 7101 A6 7108 A1
 2103 A2 2111 A3 3103 A6 3109 A7 3115 A7 3121 A3 3127 A1 3134 A1 3140 A4 4103 A1 4109 A9 4115 A6 6104 A6 6110 A9 7103 A4 7109 A1
 2104 A2 2113 A5 3104 A6 3110 A7 3116 A3 3122 A3 3128 A1 3135 A1 3141 A3 4104 A1 4110 A9 4116 A5 6105 A7 6111 A9 7104 A4 7110 A1
 2105 A6 2116 A5 3105 A6 3111 A7 3117 A5 3123 A5 3129 A1 3136 A2 3142 A3 4105 A1 4111 A1 6100 A2 6106 A6 6112 A9 7105 A4 7112 A5
 2107 A6 3100 A2 3106 A6 3112 A7 3118 A5 3124 A2 3130 A9 3137 A5 4100 A1 4106 A1 4112 A1 6101 A6 6107 A7 6113 A9 7106 A1
 2108 A7 3101 A6 3107 A6 3113 A7 3119 A5 3125 A2 3132 A1 3138 A5 4101 A1 4107 A1 4113 A1 6102 A3 6108 A1 7100 A8 7107 A9



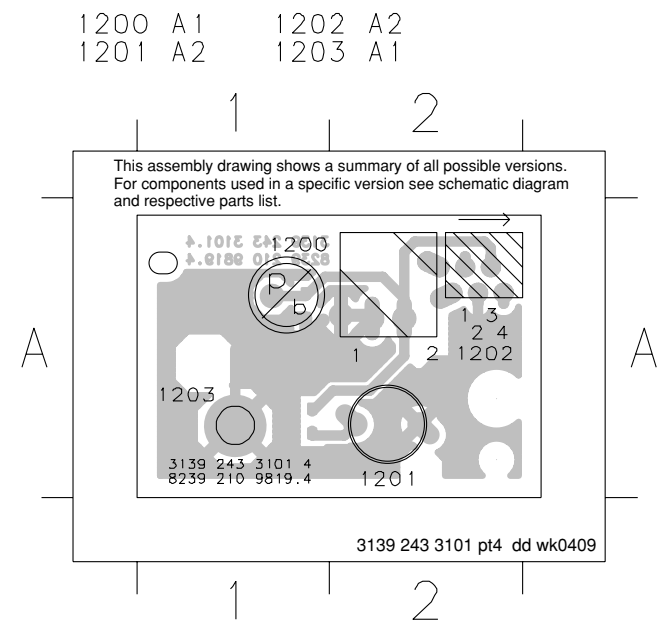
FRONT DISPLAY BOARD - CIRCUIT DIAGRAM



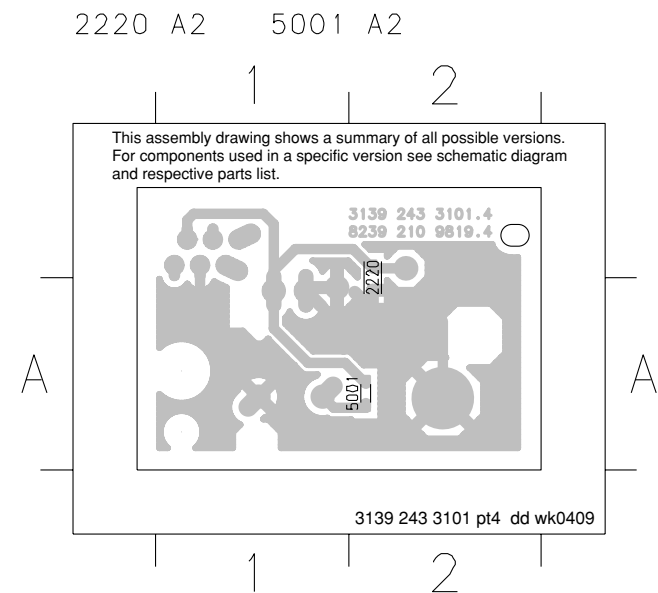
- 1100 A6
- 1101 C1
- 1102 E1
- 1103 A1
- 1104 C1
- 1105 G5
- 1106 G6
- 1107 G7
- 1108 H5
- 1109 H6
- 1110 H1
- 2100 D2
- 2101 D2
- 2102 D2
- 2103 D3
- 2104 D3
- 2105 G2
- 2106 G2
- 2107 H2
- 2108 D6
- 2109 D10
- 2110 D10
- 2111 A12
- 2112 A12
- 2113 B13
- 2114 B12
- 2115 C10
- 2116 D13
- 3100 D3
- 3101 F2
- 3102 G3
- 3103 G3
- 3104 G3
- 3105 G2
- 3106 H4
- 3107 B6
- 3108 B9
- 3109 C6
- 3110 E5
- 3111 E5
- 3112 E6
- 3113 E5
- 3114 E5
- 3115 E5
- 3116 E10
- 3117 B13
- 3118 B12
- 3119 B12
- 3120 B13
- 3121 B11
- 3122 B11
- 3123 C13
- 3124 F5
- 3125 F6
- 3126 F7
- 3127 H6
- 3128 I4
- 3129 I5
- 3130 I6
- 3132 G9
- 3133 G9
- 3134 G9
- 3135 H9
- 3136 H9
- 3137 D12
- 3138 D13
- 3139 C7
- 3140 C9
- 3141 C7
- 3142 C9
- 4100 G5
- 4101 G6
- 4102 G6
- 4103 H5
- 4104 H6
- 4105 G5
- 4106 G5
- 4107 G6
- 4108 G6
- 4109 G6
- 4110 G7
- 4111 H5
- 4112 H5
- 4113 H6
- 4114 H6
- 6100 D2
- 6101 H3
- 6102 D10
- 6103 E3
- 6104 E4
- 6105 E4
- 6106 G7
- 6107 I7
- 6108 I5
- 6109 I6
- 6110 H6
- 6111 H6
- 6112 H7
- 6113 H7
- 6120 C7
- 6121 C7
- 7100 C7
- 7101 G4
- 7102 G1
- 7103 B12
- 7104 B12
- 7105 C12
- 7106 G10
- 7107 G11
- 7108 G9
- 7109 H9
- 7110 H10
- 7112 C12

- For non-eco standby version
 ECO - For eco standby version
 * - OPTIONAL
 P : Provision
 Note : Some values may varies, see respective parts list for correct value.

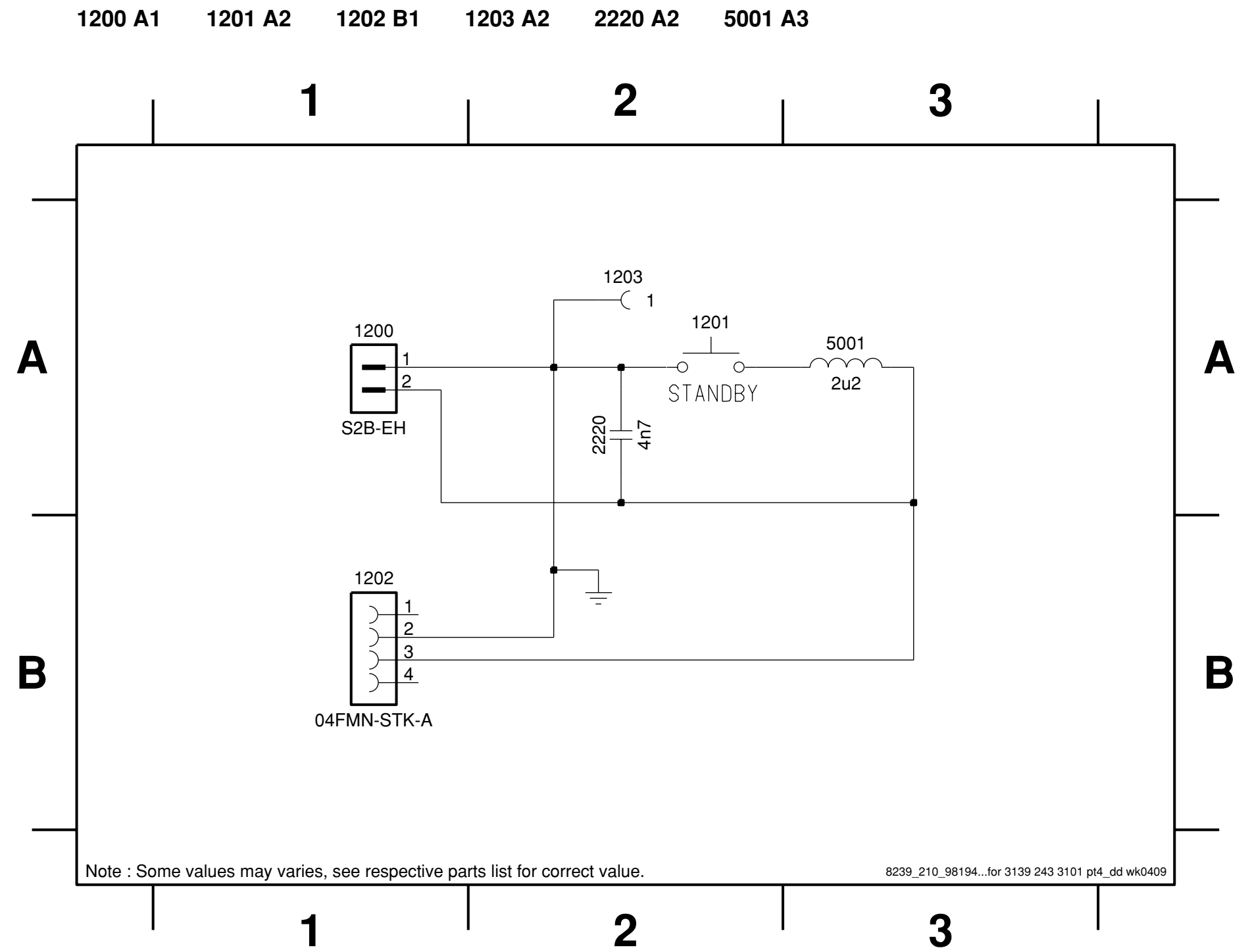
STANDBY BOARD - COMPONENT LAYOUT



STANDBY BOARD - CHIP LAYOUT



STANDBY BOARD - CIRCUIT DIAGRAM



ELECTRICAL PARTS LIST - FRONT BOARD**MISCELLANEOUS**

1100	3139 240 50661	FTD HNV-07SS56T
1102	2422 025 16586	Flex Connector 9P
1103	2422 025 18364	Flex Connector 16P/00/02/05
1105	4822 276 13775	Tact Switch
1106	4822 276 13775	Tact Switch
1107	4822 276 13775	Tact Switch
1108	4822 276 13775	Tact Switch
1109	4822 276 13775	Tact Switch
1201	4822 276 13775	Tact Switch
1202	2422 025 16979	Flex Connector 4P /69/75

CAPACITORS

2100	4822 124 81286	47uF 20% 16V
2101	2238 586 59812	100nF +80/-20% 50V
2102	4822 124 81286	47uF 20% 16V
2103	2238 586 59812	100nF +80/-20% 50V
2104	2238 586 59812	100nF +80/-20% 50V
2105	2238 586 59812	100nF +80/-20% 50V
2106	4822 124 81286	47uF 20% 16V
2107	4822 126 14238	2,2nF 50V
2109	2238 586 59812	100nF +80/-20% 50V
2110	3198 028 44790	47uF 20% 35V
2111	4822 126 14549	33nF 16V
2112	4822 124 81286	47uF 20% 16V
2113	4822 122 33761	22pF 5% 50V
2114	3198 028 42290	22uF 20% 35V
2115	3198 028 42290	22uF 20% 35V
2220	4822 126 13193	4,7nF 10% 63V

RESISTORS

3100	4822 117 11152	△ 4R7 5%
3101	4822 051 30101	100R 5% 0,062W
3102	4822 117 11817	1k2 1% 1/16W
3103	4822 051 30103	10k 5% 0,062W
3104	4822 117 12925	47k 1% 0,063W
3105	4822 051 30102	1k 5% 0,062W
3106	4822 051 30103	10k 5% 0,062W
3107	4822 051 20109	10R 5% 0,1W
3108	4822 051 20109	10R 5% 0,1W
3109	4822 117 12925	47k 1% 0,063W
3110	4822 051 30103	10k 5% 0,062W
3111	4822 051 30103	10k 5% 0,062W
3112	4822 051 30103	10k 5% 0,062W
3113	4822 051 30101	100R 5% 0,062W
3114	4822 051 30101	100R 5% 0,062W
3115	4822 051 30101	100R 5% 0,062W
3116	4822 051 30103	10k 5% 0,062W
3117	4822 051 30472	4k7 5% 0,062W
3118	4822 051 30331	330R 5% 0,062W
3119	4822 051 30331	330R 5% 0,062W
3120	4822 051 30103	10k 5% 0,062W
3121	4822 051 30471	470R 5% 0,062W

3122	4822 051 30471	470R 5% 0,062W
3123	4822 051 30103	10k 5% 0,062W
3124	4822 051 30151	150R 5% 0,062W /00/02/05
3125	4822 051 30221	220R 5% 0,062W /00/02/05
3126	4822 051 30271	270R 5% 0,062W /00/02/05
3127	4822 051 30151	150R 5% 0,062W /00/02/05
3128	4822 051 30472	4k7 5% 0,062W
3129	4822 051 30472	4k7 5% 0,062W
3130	4822 051 30472	4k7 5% 0,062W
3132	4822 051 30472	4k7 5% 0,062W /00/02/05
3133	4822 051 30472	4k7 5% 0,062W /00/02/05
3134	4822 051 30472	4k7 5% 0,062W /00/02/05
3135	4822 051 30472	4k7 5% 0,062W /00/02/05
3136	4822 051 30472	4k7 5% 0,062W /00/02/05
3139	4822 051 30471	470R 5% 0,062W
3140	4822 051 30471	470R 5% 0,062W
3141	4822 051 30471	470R 5% 0,062W
3142	4822 051 30471	470R 5% 0,062W
4100	4822 051 30008	0R Jumper 0603 /00/02/05
4101	4822 051 30008	0R Jumper 0603 /00/02/05
4102	4822 051 30008	0R Jumper 0603 /00/02/05
4103	4822 051 30008	0R Jumper 0603 /00/02/05
4104	4822 051 30008	0R Jumper 0603 /00/02/05
4105	4822 051 30008	0R Jumper 0603 /69/75
4106	4822 051 30008	0R Jumper 0603 /69/75
4107	4822 051 30008	0R Jumper 0603 /69/75
4108	4822 051 30008	0R Jumper 0603 /69/75
4109	4822 051 30008	0R Jumper 0603 /69/75
4110	4822 051 30008	0R Jumper 0603 /69/75
4111	4822 051 30008	0R Jumper 0603 /69/75
4112	4822 051 30008	0R Jumper 0603 /69/75
4113	4822 051 30008	0R Jumper 0603 /69/75
4114	4822 051 30008	0R Jumper 0603 /69/75
4115	4822 051 30008	0R Jumper 0603
4116	4822 051 30008	0R Jumper 0603

COILS & FILTERS

5001	3198 018 52280	FXD IND SM 0603 2U2 PM10
------	----------------	--------------------------

DIODES

6100	3198 020 55680	DIO REG SM PDZ5.6B
6101	3198 020 55680	DIO REG SM PDZ5.6B
6102	9340 548 54115	DIO REG SM PDZ6.2B
6103	3198 020 55680	DIO REG SM PDZ5.6B
6104	3198 020 55680	DIO REG SM PDZ5.6B
6105	3198 020 55680	DIO REG SM PDZ5.6B
6106	4822 130 11397	BAS316
6107	4822 130 11397	BAS316
6108	3198 020 55680	DIO REG SM PDZ5.6B
6109	3198 020 55680	DIO REG SM PDZ5.6B
6110	3198 020 55680	DIO REG SM PDZ5.6B
6111	3198 020 55680	DIO REG SM PDZ5.6B

ELECTRICAL PARTS LIST - FRONT BOARD

6112	3198 020 55680	DIO REG SM PDZ5.6B
6113	3198 020 55680	DIO REG SM PDZ5.6B
6120	9322 190 55676	LED VS LTL-816TDK3
6121	9322 190 55676	LED VS LTL-816TDK3

TRANSISTORS & INTEGRATED CIRCUITS

7100	9322 186 03671	IC SM UPD16312GB-3B4
7101	5322 130 60159	BC847B
7102	9322 155 82667	IR Receiver TSOP2236LL1
7103	4822 130 42804	BC817-25
7104	4822 130 60373	BC857B
7105	5322 130 60159	BC847B
7106	4822 130 60373	BC857B /00/02/05
7107	4822 130 60373	BC857B /00/02/05
7108	4822 130 60373	BC857B /00/02/05
7109	4822 130 60373	BC857B /00/02/05
7110	4822 130 60373	BC857B /00/02/05

Note : Only the parts mentioned in this list are normal service spare parts.

BRIEF INTRODUCTION OF THE AV BOARD

The AV Board consists of the following features :

- A. VIDEO OUTPUT
 - CVBS
 - S-Video
 - YUV
 - Scart RGB (For Europe Model)
 - Progressive Scan

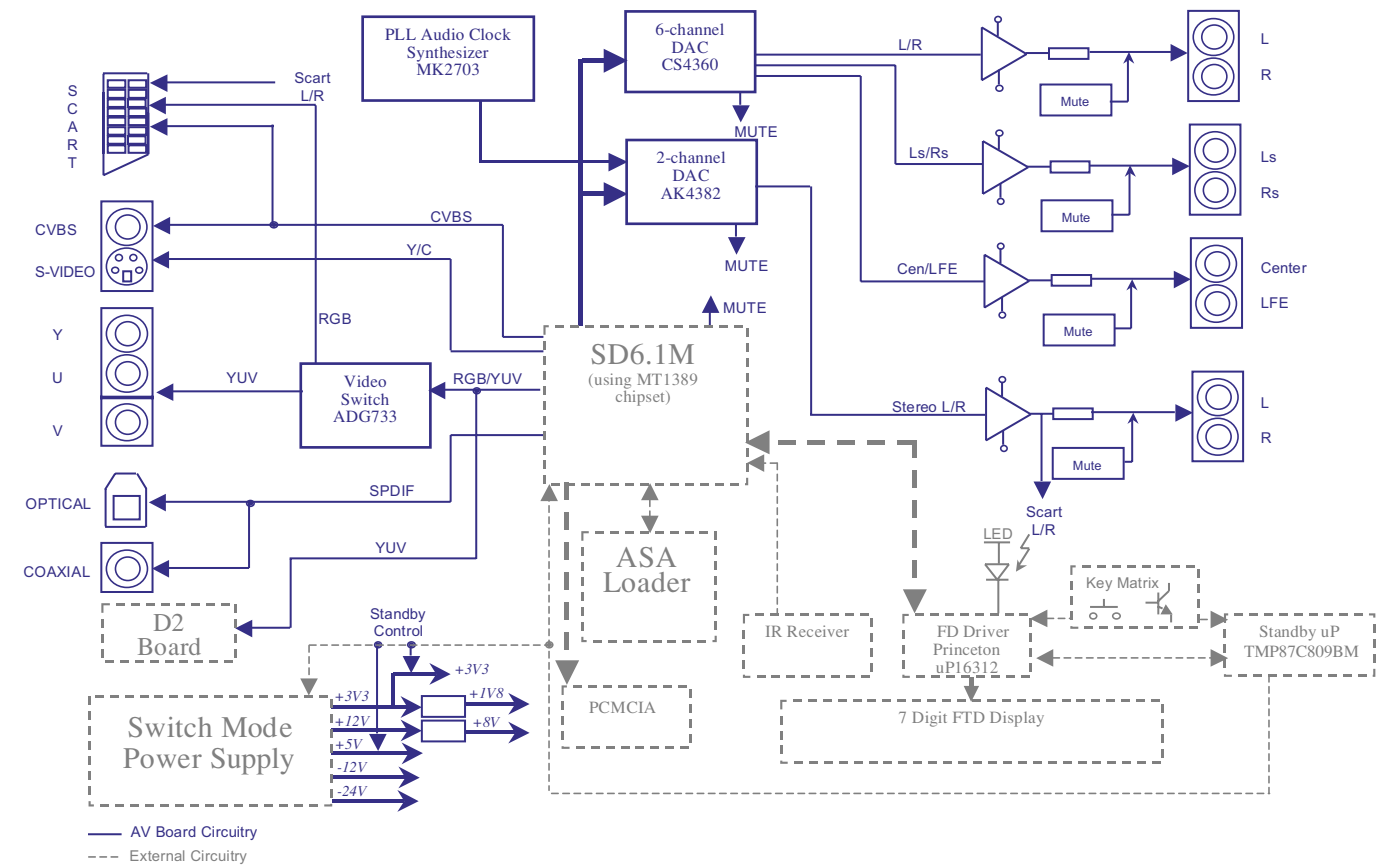
- B. AUDIO OUTPUT
 - Stereo / 6 Channel
 - Coaxial / Optical

AV BOARD

TABLE OF CONTENTS

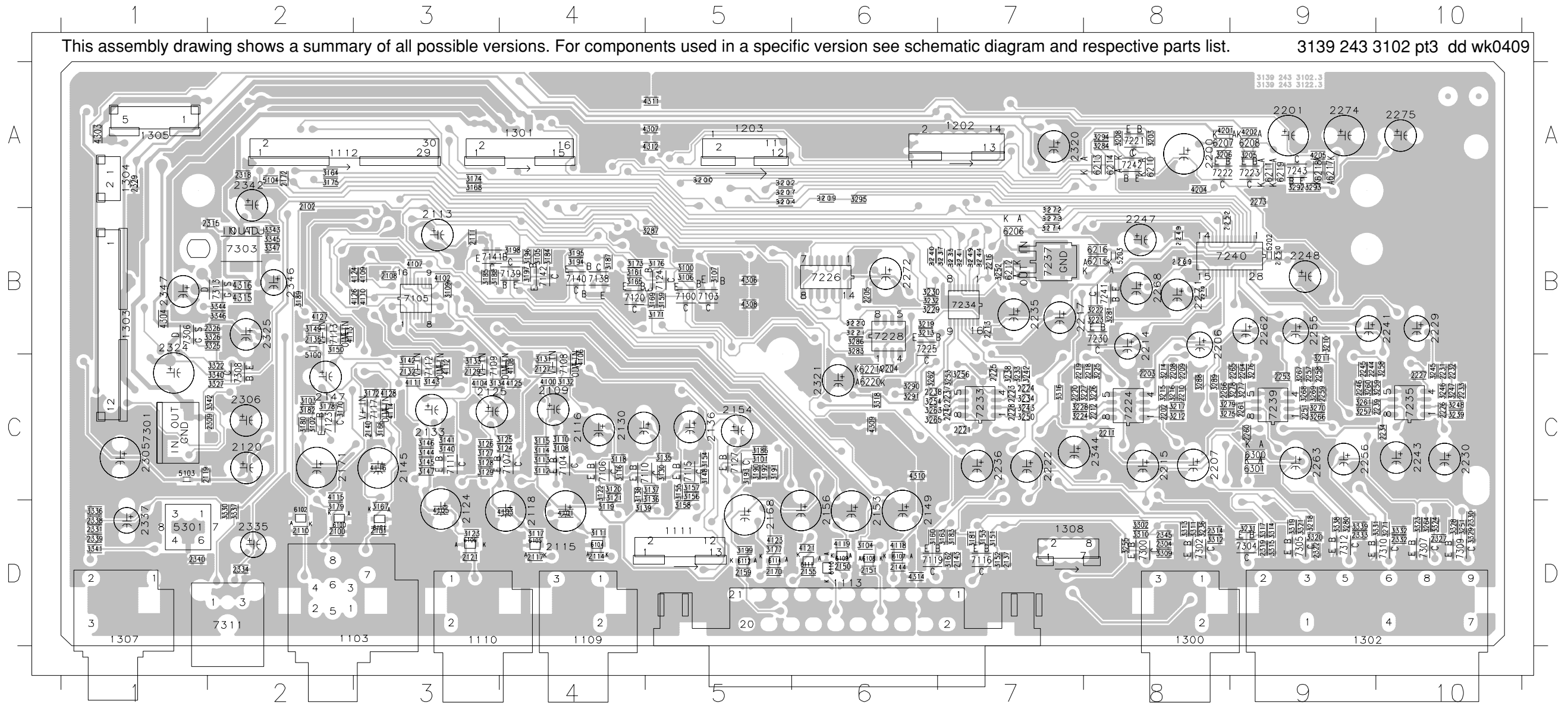
Brief Introduction of the AV Board 7-1
 Block Diagram 7-1
 Top View Layout 7-2
 Bottom View Layout 7-3
 Circuit Diagram (Part 1) 7-4
 Circuit Diagram (Part 2) 7-5
 Circuit Diagram (Part 3) 7-6
 Electrical parts list 7-7

AV BOARD - BLOCK DIAGRAM



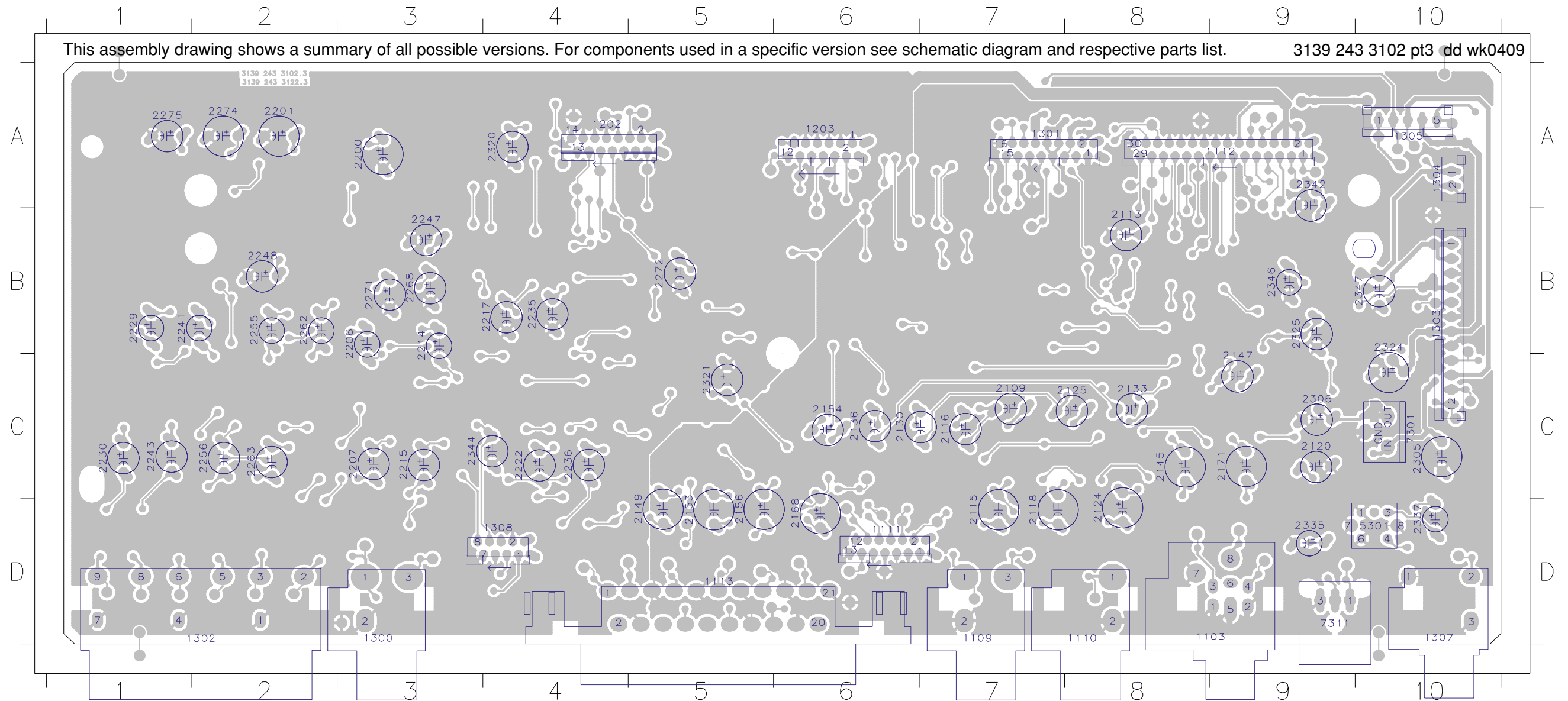
AV BOARD - TOP VIEW LAYOUT

1103 D2	2121 D3	2203 C8	2234 C10	2268 B8	2338 D1	3123 D3	3154 C5	3185 B3	3217 C8	3248 C10	3279 C8	3324 D10	4110 B3	4316 B2	6218 A9	7221 A8
1109 D4	2124 D3	2204 C6	2235 B7	2269 B8	2339 D1	3124 C4	3155 C5	3186 C5	3218 D9	3249 B7	3280 D9	3325 B2	4111 C3	4317 B2	6219 A9	7222 A8
1110 D3	2125 C3	2205 B6	2236 C7	2270 B8	2340 D1	3125 C4	3156 C5	3187 B4	3219 B6	3250 C7	3281 B8	3326 B2	4112 C3	4318 B2	6220 C6	7223 A9
1111 D5	2127 C4	2206 B8	2237 C7	2271 B8	2342 A2	3126 C3	3157 C5	3188 B3	3220 B6	3251 D10	3283 B6	3327 C2	4113 B2	4319 A2	6221 C6	7224 C8
1112 A2	2129 C3	2207 C8	2238 C6	2272 B6	2344 C8	3127 C3	3158 D5	3189 B2	3221 B6	3252 B7	3284 A8	3328 D10	4114 C3	4320 B9	6222 C9	7225 B6
1113 D6	2130 C4	2208 C8	2239 C10	2273 A9	2345 D8	3128 C3	3159 B5	3190 C5	3222 B8	3253 C7	3286 B6	3329 D10	4115 C2	4321 B8	6223 C9	7226 B6
1202 A7	2132 C3	2209 C8	2241 B10	2274 A9	2346 B2	3129 C3	3160 D6	3191 C5	3223 B8	3254 C6	3287 B5	3330 D2	4116 C3	4322 D1	6224 D1	7227 B6
1203 A5	2133 C3	2210 C8	2242 C7	2275 A10	2347 B1	3130 C5	3161 B4	3192 C5	3224 C7	3255 D8	3288 C8	3331 D9	4118 D6	4323 D2	6225 B5	7228 B8
1300 D8	2135 B2	2211 C8	2243 C10	2304 D8	3100 B5	3131 C4	3162 D7	3193 C5	3225 C8	3256 C7	3289 C8	3332 D10	4119 D6	4324 D3	6226 C4	7229 C7
1301 A4	2136 C5	2212 C8	2244 C9	2305 C1	3101 C5	3132 C4	3163 D7	3194 B4	3226 C8	3257 C9	3290 C6	3333 D10	4121 D6	4325 D2	6227 B3	7230 B7
1302 D9	2137 D7	2213 B7	2245 C9	2306 C2	3102 C2	3133 C3	3164 A2	3195 B4	3227 C7	3258 C10	3291 C6	3334 D2	4123 D5	4326 D4	6228 C4	7231 C10
1303 B1	2140 C3	2214 B8	2246 C9	2309 C2	3103 C2	3134 C3	3165 B4	3196 B4	3228 C7	3259 C10	3292 A9	3335 D9	4124 B3	4327 D4	6229 C4	7232 B7
1304 A1	2143 D7	2215 C8	2247 B8	2314 D8	3104 D6	3135 C5	3166 C3	3197 B4	3229 B6	3260 C9	3293 A9	3336 D10	4125 C4	4328 C4	6230 C4	7233 C9
1305 A1	2144 D6	2216 B7	2248 B8	2315 B2	3105 B5	3136 C5	3167 D3	3198 B4	3230 B6	3261 C9	3294 A8	3337 D2	4126 B3	4329 D6	6231 C3	7234 B9
1307 D1	2145 C3	2217 B7	2249 B8	2318 A2	3106 B4	3137 C5	3168 A3	3199 D5	3231 D9	3262 C6	3295 A6	3338 D1	4127 B2	4330 D6	6232 C4	7235 B8
1308 D7	2147 C2	2218 C8	2250 B9	2319 D9	3107 B5	3138 C4	3169 B5	3200 A5	3232 B6	3263 C6	3302 D8	3339 D9	4128 C3	4331 D6	6233 C3	7236 A8
2100 D2	2149 D6	2219 C7	2251 C9	2320 A7	3108 C4	3139 D4	3170 C2	3202 A5	3233 C7	3264 D10	3309 D8	3340 B2	4201 A8	4332 D6	6234 D6	7237 A9
2101 D3	2150 D6	2220 C7	2252 B8	2321 C6	3109 B3	3140 C3	3171 B5	3203 A8	3234 C7	3265 C6	3310 D8	3341 D2	4202 A9	4333 A2	6235 D6	7238 D8
2102 A2	2151 D6	2221 C7	2253 C9	2322 D9	3110 C4	3141 C3	3172 C3	3204 A5	3235 B7	3266 C9	3311 D8	3342 C1	4204 A8	4334 B2	6236 D5	7239 C1
2108 B3	2153 D6	2222 C7	2255 B9	2324 B1	3111 D4	3142 C3	3173 B4	3205 A9	3236 D8	3267 C9	3312 D8	3343 B2	4205 A9	4335 A2	6237 D7	7240 D8
2109 C4	2154 C5	2223 C7	2256 C9	2325 B2	3112 C4	3143 C3	3174 A3	3206 A8	3237 B7	3268 C9	3313 D8	3344 B2	4206 A1	4336 A1	6238 B7	7241 B2
2110 D2	2155 D6	2224 C7	2257 C9	2326 B2	3113 C4	3144 C3	3175 A2	3207 A5	3238 C7	3269 C9	3314 D9	3345 D4	4304 B1	4337 A8	6239 D6	7242 D9
2111 B3	2156 D6	2225 C7	2258 C9	2327 D10	3114 C4	3145 C3	3176 B5	3208 A8	3239 C10	3270 C9	3315 D9	3346 D1	4306 B5	4338 A5	6240 A9	7243 D9
2113 B3	2159 D5	2226 C10	2259 C9	2329 A1	3115 C4	3146 C3	3177 D5	3209 A6	3240 B6	3271 D10	3316 C7	3347 B2	4307 A5	4339 A8	6241 A8	7244 B1
2114 D4	2168 D5	2227 C10	2260 C9	2330 D10	3116 C4	3147 C3	3178 C2	3210 B9	3241 B7	3272 B7	3317 D9	3348 B5	4308 B5	4340 A9	6242 A9	7245 D10
2115 D4	2170 D5	2228 C7	2261 C9	2331 D1	3117 D4	3148 C5	3179 D2	3211 C9	3242 C7	3273 B7	3318 C6	3349 C6	4309 C6	4341 C4	6243 B7	7246 C2
2116 C4	2171 C2	2229 B10	2262 B9	2332 D10	3118 C4	3149 B2	3180 C2	3212 C8	3243 C7	3274 B7	3319 D9	3350 D3	4310 C6	4342 A8	6244 A8	7247 D10
2117 D4	2172 A2	2230 C10	2263 C9	2333 D9	3119 D4	3150 B2	3181 D7	3213 B6	3244 B7	3275 C8	3320 D9	3351 C4	4311 A5	4343 A5	6245 A8	7248 B4
2118 D4	2200 A8	2231 C10	2264 C9	2334 D2	3120 C4	3151 D7	3182 C2	3214 C8	3245 C10	3276 C9	3321 D9	3352 B3	4312 A5	4344 A5	6246 B8	7249 B2
2119 C1	2201 A9	2232 C10	2265 C9	2335 D2	3121 C4	3152 D7	3183 D7	3215 C8	3246 C10	3277 C9	3322 C2	3353 D10	4313 D6	4345 D6	6247 B8	7250 D9
2120 C2	2202 C8	2233 C10	2266 C8	2337 D1	3122 C4	3153 D7	3184 B4	3216 C8	3247 C10	3278 C9	3323 D10	3354 B3	4314 B2	4346 B2	6248 A9	7251 B2

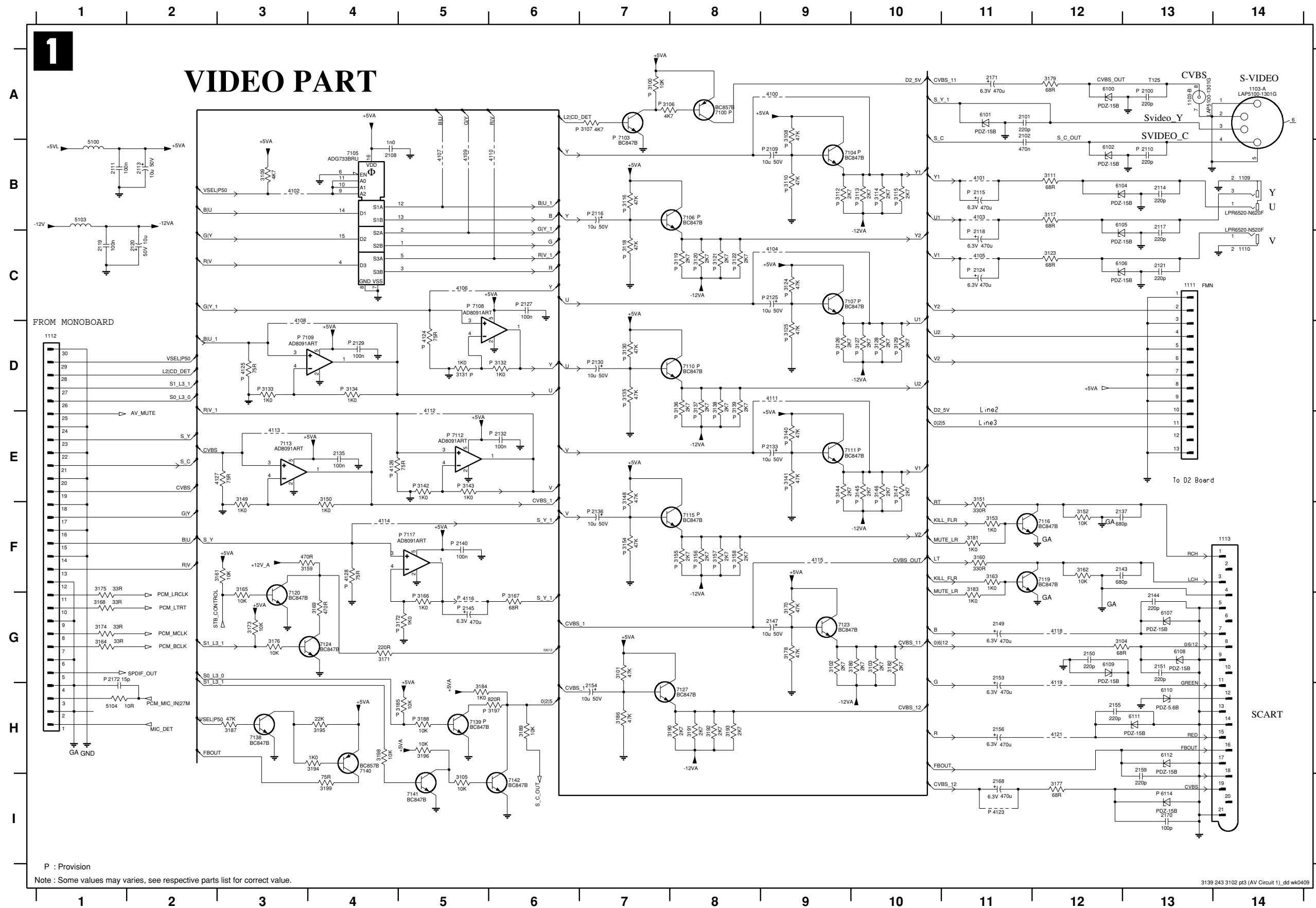


AV BOARD - BOTTOM VIEW LAYOUT

1103 D8	1113 D5	1302 D2	1308 D4	2118 D7	2133 C8	2153 D5	2200 A3	2215 C3	2235 B4	2248 B2	2268 B3	2305 C10	2325 B9	2346 B9
1109 D7	1202 A4	1303 B10	2109 C7	2120 C9	2136 C6	2154 C6	2201 A2	2217 B4	2236 C4	2255 B2	2271 B3	2306 C9	2335 D9	2347 B10
1110 D8	1203 A6	1304 A10	2113 B8	2124 D8	2145 C8	2156 D5	2206 B3	2222 C4	2241 B1	2256 C2	2272 B5	2320 A4	2337 D10	5301 D10
1111 D6	1300 D3	1305 A10	2115 D7	2125 C8	2147 C9	2168 D6	2207 C3	2229 B1	2243 C1	2262 B2	2274 A2	2321 C5	2342 A9	7301 C10
1112 A9	1301 A7	1307 D10	2116 C7	2130 C6	2149 D5	2171 C9	2214 B3	2230 C1	2247 B3	2263 C2	2275 A1	2324 B10	2344 C3	7311 D9

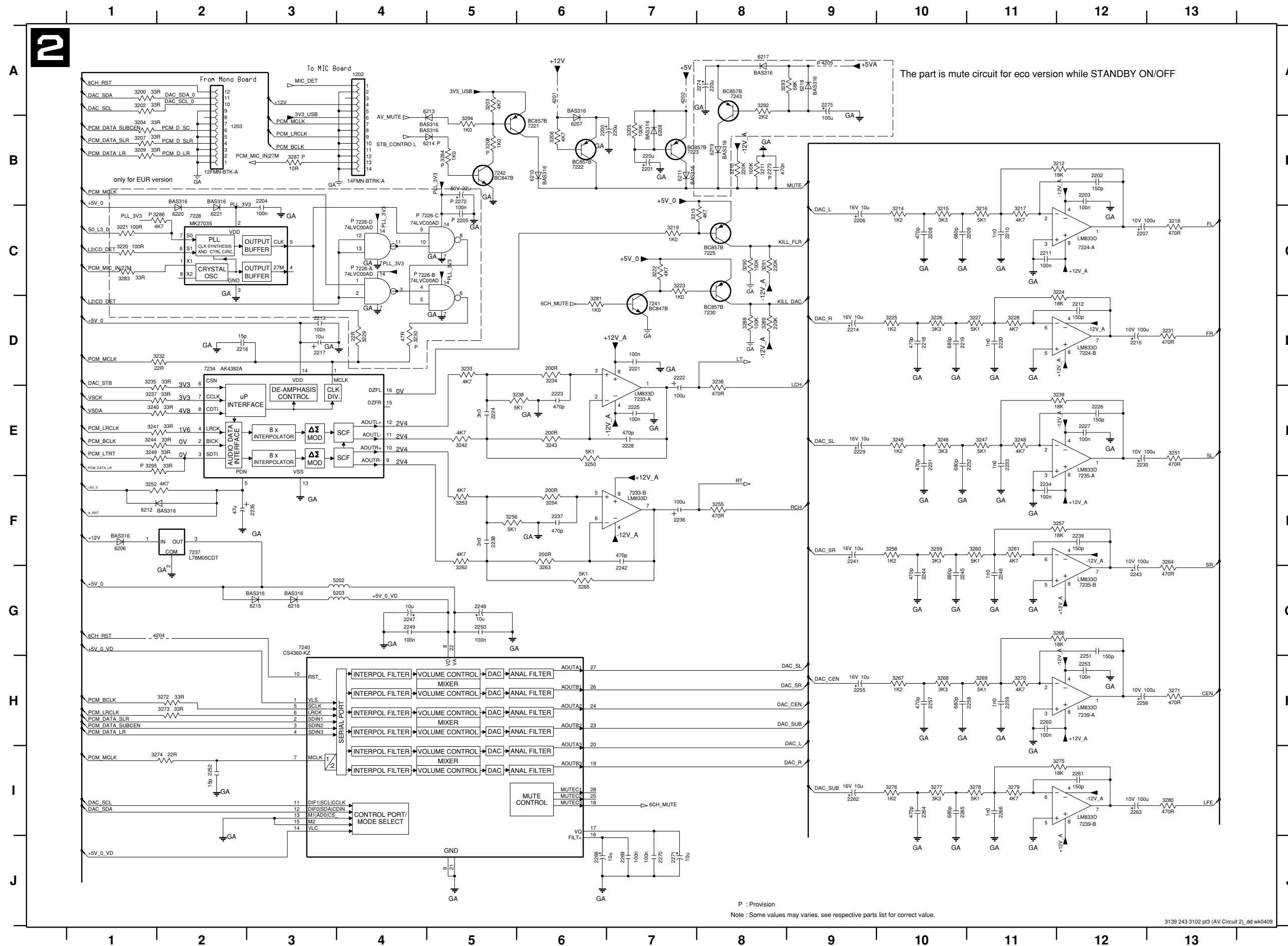


AV BOARD - CIRCUIT DIAGRAM (PART 1)



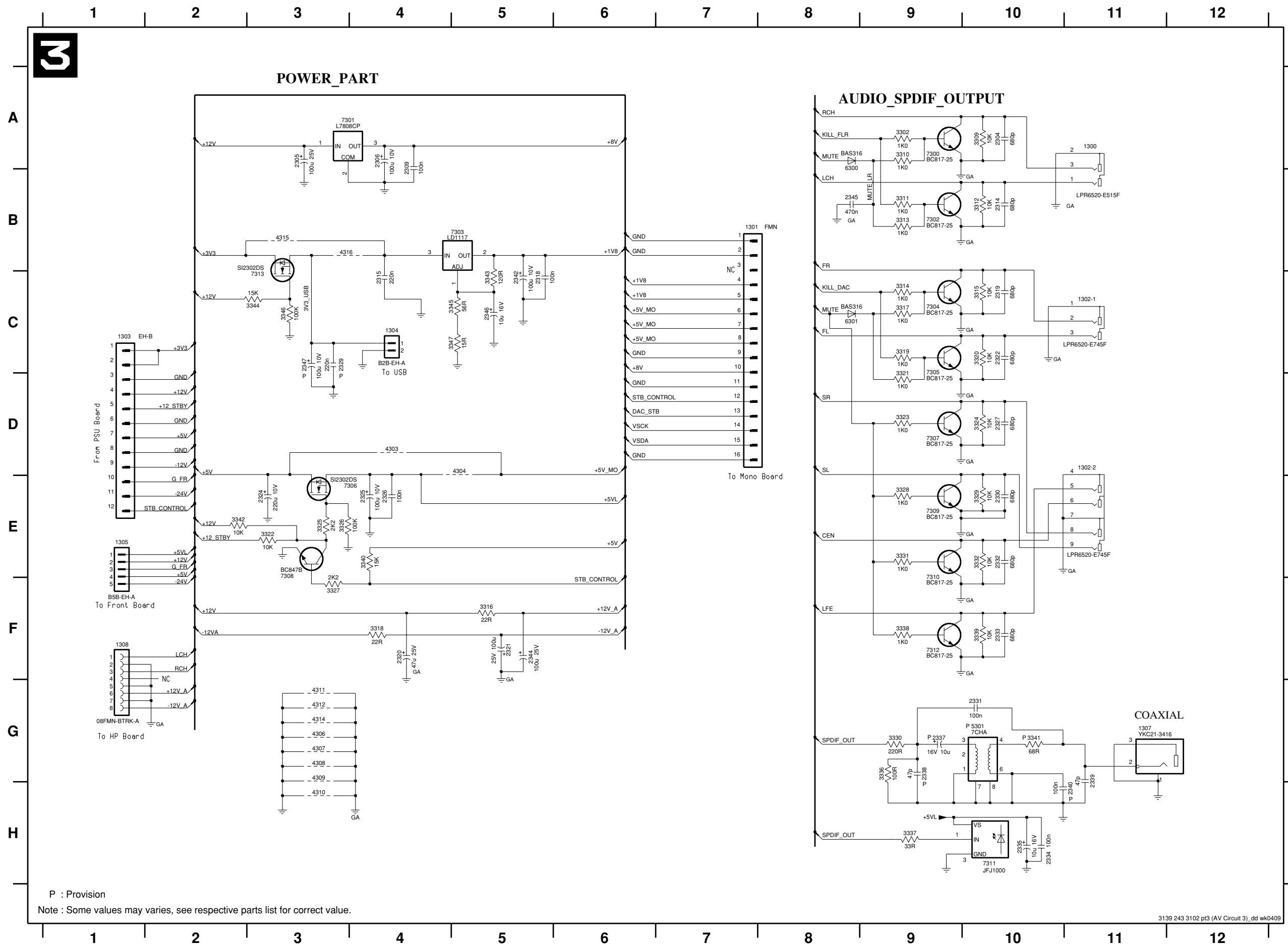
- 1103-A A14
- 1103-B A13
- 1109 B14
- 1110 C14
- 1111 C13
- 1112 D1
- 1113 F13
- 1103 A
- 1200 A13
- 2101 A11
- 2102 A11
- 2108 B4
- 2109 B9
- 2110 B13
- 2111 B1
- 2113 B2
- 2114 B13
- 2115 B11
- 2116 B7
- 2117 B13
- 2118 C11
- 2119 C1
- 2120 C2
- 2121 C13
- 2124 C11
- 2125 C9
- 2127 C6
- 2129 D4
- 2130 D7
- 2132 E6
- 2133 E9
- 2135 E4
- 2136 F7
- 2137 F12
- 2140 F5
- 2143 F12
- 2144 G13
- 2145 G5
- 2147 G9
- 2149 G11
- 2150 G12
- 2151 G13
- 2153 G11
- 2154 H7
- 2155 H12
- 2156 H11
- 2159 H13
- 2168 I11
- 2170 I13
- 2171 A11
- 2172 H1
- 3100 A7
- 3101 G7
- 3102 G9
- 3103 G10
- 3104 G12
- 3105 I5
- 3106 A7
- 3107 A7
- 3108 A9
- 3109 B3
- 3110 B9
- 3111 B12
- 3112 B9
- 3113 B10
- 3114 B10
- 3115 B10
- 3116 B7
- 3117 B12
- 3118 C7
- 3119 C8
- 3120 C8
- 3121 C8
- 3122 C8
- 3123 C12
- 3124 C9
- 3125 D9
- 3126 D9
- 3127 D10
- 3128 D10
- 3129 D10
- 3130 D7
- 3131 D5
- 3132 D6
- 3133 D3
- 3134 D7
- 3135 D7
- 3136 D8
- 3137 D8
- 3138 D8
- 3139 D8
- 3140 E9
- 3141 E9
- 3142 E5
- 3143 E5
- 3144 E9
- 3145 E10
- 3146 E10
- 3147 E10
- 3148 E7
- 3149 E3
- 3150 E4
- 3151 E11
- 3152 F12
- 3153 F11
- 3154 F7
- 3155 F8
- 3156 F8
- 3157 F8
- 3158 F8
- 3159 F3
- 3160 F11
- 3161 F3
- 3162 F12
- 3163 F11
- 3164 G1
- 3165 F3
- 3166 G5
- 3167 G6
- 3168 G1
- 3169 G4
- 3170 G9
- 3171 G4
- 3172 G5
- 3173 G3
- 3174 G1
- 3175 F1
- 3176 G3
- 3177 H2
- 3178 G9
- 3179 A12
- 3180 F9
- 3181 F11
- 3182 G10
- 3183 F11
- 3184 H5
- 3185 H5
- 3186 H7
- 3187 H3
- 3188 H5
- 3189 H6
- 3190 H8
- 3191 H8
- 3192 H8
- 3193 H8
- 3194 H4
- 3195 H4
- 3196 H5
- 3197 H6
- 3198 H4
- 3199 I4
- 4100 A9
- 4101 B11
- 4102 B3
- 4103 B11
- 4104 C9
- 4105 C11
- 4106 C5
- 4107 B5
- 4108 D3
- 4109 B5
- 4110 B6
- 4111 D9
- 4112 E5
- 4113 E3
- 4114 F4
- 4115 F9
- 4116 G5
- 4118 G12
- 4119 H12
- 4121 H12
- 4123 H11
- 4124 D5
- 4125 D3
- 4126 E4
- 4127 E3
- 4128 F4
- 5100 B1
- 5103 B1
- 5104 H1
- 6100 A12
- 6101 A11
- 6102 B12
- 6104 B12
- 6105 B12
- 6106 C12
- 6107 G13
- 6108 G13
- 6109 G12
- 6110 H13
- 6111 H13
- 6112 H13
- 6114 H13
- 7100 A8
- 7103 B7
- 7104 B9
- 7105 B4
- 7106 B8
- 7107 C9
- 7108 C5
- 7109 D3
- 7110 D8
- 7111 E9
- 7112 E5
- 7113 E3
- 7115 F8
- 7116 F12
- 7117 F5
- 7119 F12
- 7120 G3
- 7123 G9
- 7124 G4
- 7127 H8
- 7128 H3
- 7139 H5
- 7140 H4
- 7141 I5
- 7142 I6

AV BOARD - CIRCUIT DIAGRAM (PART 2)



- 1202 A4
- 1203 B2
- 2200 B6
- 2201 B7
- 2202 B12
- 2203 B12
- 2204 B3
- 2205 C5
- 2206 C9
- 2207 C12
- 2208 C10
- 2209 C11
- 2210 C11
- 2211 C11
- 2212 D12
- 2213 D3
- 2214 D9
- 2215 D12
- 2216 D2
- 2217 D3
- 2218 D10
- 2219 D10
- 2220 D11
- 2221 D7
- 2222 D7
- 2223 E6
- 2224 E5
- 2225 E7
- 2226 E12
- 2227 E12
- 2228 E7
- 2229 E9
- 2230 E12
- 2231 E10
- 2232 E11
- 2233 E11
- 2234 F11
- 2235 F3
- 2236 F7
- 2237 F6
- 2238 F5
- 2239 F12
- 2241 F9
- 2242 G7
- 2243 G12
- 2244 G10
- 2245 G10
- 2246 G11
- 2247 G4
- 2248 G5
- 2249 G4
- 2250 G5
- 2251 H12
- 2252 H2
- 2253 H12
- 2255 H9
- 2256 H12
- 2257 H10
- 2258 H11
- 2259 H11
- 2260 H11
- 2261 H12
- 2262 I9
- 2263 I2
- 2264 I10
- 2265 I10
- 2266 I11
- 2268 J6
- 2269 J7
- 2270 J7
- 2271 J7
- 2272 B5
- 2273 B8
- 2274 A8
- 2275 A9
- 3200 A1
- 3202 A1
- 3203 A5
- 3204 B1
- 3205 B7
- 3206 B6
- 3207 B1
- 3208 B5
- 3209 B1
- 3210 B8
- 3211 B8
- 3212 B12
- 3213 C7
- 3214 C10
- 3215 C10
- 3216 C11
- 3217 C11
- 3218 C13
- 3219 C7
- 3220 C1
- 3221 C1
- 3222 C7
- 3223 C7
- 3224 C12
- 3225 D10
- 3226 D10
- 3227 D11
- 3228 D11
- 3229 D4
- 3231 D13
- 3232 D2
- 3233 D5
- 3234 D6
- 3235 D1
- 3236 D8
- 3237 E1
- 3238 E6
- 3239 E12
- 3240 E1
- 3241 E1
- 3242 E5
- 3243 E6
- 3244 E1
- 3245 E10
- 3246 E10
- 3247 E11
- 3248 E11
- 3249 E1
- 3250 E6
- 3251 E13
- 3252 F5
- 3253 F5
- 3254 F6
- 3255 F8
- 3256 F5
- 3257 F12
- 3258 F10
- 3259 F10
- 3260 F11
- 3261 F11
- 3262 G5
- 3263 G6
- 3264 F13
- 3265 G6
- 3266 G12
- 3267 H10
- 3268 H10
- 3269 H11
- 3270 H11
- 3271 H13
- 3272 H2
- 3273 H2
- 3274 I2
- 3275 I2
- 3276 I9
- 3277 I10
- 3278 I11
- 3279 I11
- 3280 I13
- 3281 D6
- 3283 C1
- 3284 B5
- 3286 C2
- 3287 B3
- 3288 D8
- 3289 D8
- 3290 C8
- 3291 C8
- 3292 A8
- 3293 A8
- 3294 B5
- 3295 E1
- 4201 A6
- 4202 A7
- 4204 G2
- 4205 A9
- 5202 G4
- 5203 G4
- 6206 F1
- 6207 B6
- 6208 B7
- 6210 B6
- 6211 B7
- 6212 F1
- 6213 A5
- 6214 B5
- 6215 G3
- 6216 G3
- 6217 A8
- 6218 A9
- 6219 B8
- 6220 C2
- 6221 C2
- 7222 B6
- 7223 B7
- 7224-A C12
- 7224-B D12
- 7225 C8
- 7226-A C4
- 7226-B C4
- 7226-C C4
- 7226-D C4
- 7228 C2
- 7230 D8
- 7233-A E7
- 7234 D2
- 7235-A F12
- 7235-B G12
- 7237 F2
- 7239-A H12
- 7240 G3
- 7241 D7
- 7242 B5
- 7243 A8

AV BOARD - CIRCUIT DIAGRAM (PART 3)



- 1300 A11
- 1301 B7
- 1302-1 C11
- 1302-2 D11
- 1303 C1
- 1304 C4
- 1305 E1
- 1307 G11
- 1308 F1
- 2304 A10
- 2305 A3
- 2306 A4
- 2309 A4
- 2314 B10
- 2315 C4
- 2318 C5
- 2319 C10
- 2320 F4
- 2321 F5
- 2322 C10
- 2324 E3
- 2325 E4
- 2326 E4
- 2327 D10
- 2329 C3
- 2330 E10
- 2331 G10
- 2332 E10
- 2333 F10
- 2334 H10
- 2335 H10
- 2337 G9
- 2338 G9
- 2339 G11
- 2340 H11
- 2342 C5
- 2344 F5
- 2345 B8
- 2346 C5
- 2347 C3
- 3002 A9
- 3009 A10
- 3010 A9
- 3011 B9
- 3012 B10
- 3013 B9
- 3014 C9
- 3015 C10
- 3016 F5
- 3017 C9
- 3018 F4
- 3019 C9
- 3020 C10
- 3021 D9
- 3022 E3
- 3023 D9
- 3024 D10
- 3025 E3
- 3026 E3
- 3027 F3
- 3028 E9
- 3029 E10
- 3030 G9
- 3031 E9
- 3032 E10
- 3036 G9
- 3037 H9
- 3038 F9
- 3039 F10
- 3040 E4
- 3041 G10
- 3042 E2
- 3043 C5
- 3044 C3
- 3045 C5
- 3046 C3
- 3047 C5
- 4003 D4
- 4004 D5
- 4006 G3
- 4007 G3
- 4008 G3
- 4009 G3
- 4010 H3
- 4011 G3
- 4012 G3
- 4014 G3
- 4015 B3
- 4016 B3
- 5001 G10
- 6000 A8
- 6001 C8
- 7000 A9
- 7001 A3
- 7002 B9
- 7003 B5
- 7004 C9
- 7005 D9
- 7006 E4
- 7007 D9
- 7008 E3
- 7009 E9
- 7010 F9
- 7011 H10
- 7312 F9
- 7313 C3

ELECTRICAL PARTS LIST - AV BOARD

MISCELLANEOUS

0002	3139 241 21102	EMC Spring	/00/02/05
0003	3139 241 21102	EMC Spring	/00/02/05
1103	2422 033 00468	Socket 2P (S-Video/CVBS)	
1109	2422 026 05529	Socket Cinch 2P (Y/Pb)	
1110	2422 026 05531	Socket Cinch 1P (Pr)	
1112	2422 025 17433	Flex Connector 30P	
1113	2422 025 12352	Socket Scart 21P	/00/02/05
1203	2422 025 18209	Flex Connector 12P	
1300	2422 026 04754	Socket Cinch 2P (Stereo L/R)	
1301	2422 025 16525	Flex Connector 16P	
1302	2422 026 01798	Socket Cinch 6P (Front L/R, Center, Subwoofer, Rear L/R)	
1307	4822 267 31729	Socket Cinch 1P (Coaxial)	

CAPACITORS

2101	4822 126 13883	220pF 5% 50V	
2102	3198 017 44740	470nF 10V	
2108	5322 126 11578	1nF 10% 50V	/00/02/05
2111	2238 586 59812	100nF +80/-20% 50V	
2113	4822 124 40248	10uF 20% 63V	
2114	4822 126 13883	220pF 5% 50V	
2117	4822 126 13883	220pF 5% 50V	
2119	2238 586 59812	100nF +80/-20% 50V	
2120	4822 124 40248	10uF 20% 63V	
2121	4822 126 13883	220pF 5% 50V	
2135	2238 586 59812	100nF +80/-20% 50V	/00/02/05
2137	4822 126 13909	680pF 10% 50V	/00/02/05
2143	4822 126 13909	680pF 10% 50V	/00/02/05
2144	4822 126 13883	220pF 5% 50V	/00/02/05
2147	4822 124 40248	10uF 20% 63V	/00/02/05
2149	4822 124 42027	470uF 20% 6,3V	/00/02/05
2150	4822 126 13883	220pF 5% 50V	/00/02/05
2151	4822 126 13883	220pF 5% 50V	/00/02/05
2153	4822 124 42027	470uF 20% 6,3V	/00/02/05
2154	4822 124 40248	10uF 20% 63V	/00/02/05
2155	4822 126 13883	220pF 5% 50V	/00/02/05
2156	4822 124 42027	470uF 20% 6,3V	/00/02/05
2159	4822 126 13883	220pF 5% 50V	/00/02/05
2168	4822 124 42027	470uF 20% 6,3V	/00/02/05
2170	2020 552 94427	100pF 5% 50V	/00/02/05
2171	4822 124 42027	470uF 20% 6,3V	/00/02/05
2200	4822 124 40196	220uF 20% 16V	
2201	4822 124 40196	220uF 20% 16V	
2202	4822 122 33753	150pF 5% 50V	
2203	2238 586 59812	100nF +80/-20% 50V	
2204	2238 586 59812	100nF +80/-20% 50V	/00/02/05
2206	4822 124 11947	10uF 20% 16V	
2207	4822 124 41584	100uF 20% 10V	
2208	4822 126 13881	470pF 5% 50V	
2209	3198 016 36810	680pF 25V	
2210	5322 126 11578	1nF 10% 50V	

2211	2238 586 59812	100nF +80/-20% 50V	
2212	4822 122 33753	150pF 5% 50V	
2213	2238 586 59812	100nF +80/-20% 50V	
2214	4822 124 11947	10uF 20% 16V	
2215	4822 124 41584	100uF 20% 10V	
2216	4822 122 33752	15pF 5% 50V	
2217	4822 124 40248	10uF 20% 63V	
2218	4822 126 13881	470pF 5% 50V	
2219	3198 016 36810	680pF 25V	
2220	5322 126 11578	1nF 10% 50V	
2221	2238 586 59812	100nF +80/-20% 50V	
2222	4822 124 41584	100uF 20% 10V	
2223	4822 126 14241	330pF 50V	
2224	5322 126 11579	3,3nF 10% 63V	
2225	2238 586 59812	100nF +80/-20% 50V	
2226	4822 122 33753	150pF 5% 50V	
2227	2238 586 59812	100nF +80/-20% 50V	
2228	4822 126 14241	330pF 50V	
2229	4822 124 11947	10uF 20% 16V	
2230	4822 124 41584	100uF 20% 10V	
2231	4822 126 13881	470pF 5% 50V	
2232	3198 016 36810	680pF 25V	
2233	5322 126 11578	1nF 10% 50V	
2234	2238 586 59812	100nF +80/-20% 50V	
2235	4822 124 40433	47uF 20% 25V	
2236	4822 124 41584	100uF 20% 10V	
2237	4822 126 14241	330pF 50V	
2238	5322 126 11579	3,3nF 10% 63V	
2239	4822 122 33753	150pF 5% 50V	
2241	4822 124 11947	10uF 20% 16V	
2242	4822 126 14241	330pF 50V	
2243	4822 124 41584	100uF 20% 10V	
2244	4822 126 13881	470pF 5% 50V	
2245	3198 016 36810	680pF 25V	
2246	5322 126 11578	1nF 10% 50V	
2247	4822 124 40248	10uF 20% 63V	
2248	4822 124 40248	10uF 20% 63V	
2249	2238 586 59812	100nF +80/-20% 50V	
2250	2238 586 59812	100nF +80/-20% 50V	
2251	4822 122 33753	150pF 5% 50V	
2252	4822 122 33752	15pF 5% 50V	
2253	2238 586 59812	100nF +80/-20% 50V	
2255	4822 124 11947	10uF 20% 16V	
2256	4822 124 41584	100uF 20% 10V	
2257	4822 126 13881	470pF 5% 50V	
2258	3198 016 36810	680pF 25V	
2259	5322 126 11578	1nF 10% 50V	
2260	2238 586 59812	100nF +80/-20% 50V	
2261	4822 122 33753	150pF 5% 50V	
2262	4822 124 11947	10uF 20% 16V	
2263	4822 124 41584	100uF 20% 10V	

ELECTRICAL PARTS LIST - AV BOARD

2264	4822 126 13881	470pF 5% 50V	
2265	3198 016 36810	680pF 25V	
2266	5322 126 11578	1nF 10% 50V	
2268	4822 124 40248	10uF 20% 63V	
2269	2238 586 59812	100nF +80/-20% 50V	
2270	2238 586 59812	100nF +80/-20% 50V	
2271	4822 124 40248	10uF 20% 63V	
2274	4822 124 40196	220uF 20% 16V	/00/02/05
2275	4822 124 41584	100uF 20% 10V	/00/02/05
2304	3198 016 36810	680pF 25V	
2305	4822 124 40207	100uF 20% 25V	
2306	4822 124 41584	100uF 20% 10V	
2309	2238 586 59812	100nF +80/-20% 50V	
2314	3198 016 36810	680pF 25V	
2315	4822 126 13879	220nF +80-20% 16V	
2318	2238 586 59812	100nF +80/-20% 50V	
2319	3198 016 36810	680pF 25V	
2320	4822 124 40433	47uF 20% 25V	
2321	4822 124 40207	100uF 20% 25V	
2322	3198 016 36810	680pF 25V	
2324	4822 124 40196	220uF 20% 16V	
2325	4822 124 41584	100uF 20% 10V	
2326	2238 586 59812	100nF +80/-20% 50V	
2327	3198 016 36810	680pF 25V	
2330	3198 016 36810	680pF 25V	
2331	2238 586 59812	100nF +80/-20% 50V	
2332	3198 016 36810	680pF 25V	
2333	3198 016 36810	680pF 25V	
2334	2238 586 59812	100nF +80/-20% 50V	
2335	4822 124 11947	10uF 20% 16V	
2339	4822 126 11785	47pF 5% 50V	
2342	4822 124 41584	100uF 20% 10V	
2344	4822 124 40207	100uF 20% 25V	
2345	3198 017 44740	470nF 10V	
2346	4822 124 40248	10uF 20% 63V	

RESISTORS

3101	4822 117 12925	47k 1% 0,063W	/00/02/05
3102	4822 051 30272	2k7 5% 0,062W	/00/02/05
3103	4822 051 30272	2k7 5% 0,062W	/00/02/05
3104	4822 051 30689	68R 5% 0,063W	/00/02/05
3105	4822 051 30103	10k 5% 0,062W	
3109	4822 051 30472	4k7 5% 0,062W	/00/02/05
3111	4822 051 30008	0R Jumper 0603	
3117	4822 051 30008	0R Jumper 0603	
3123	4822 051 30008	0R Jumper 0603	
3149	4822 051 30102	1k 5% 0,062W	/00/02/05
3150	4822 051 30102	1k 5% 0,062W	/00/02/05
3151	4822 051 30331	330R 5% 0,062W	/00/02/05
3152	4822 051 30103	10k 5% 0,062W	/00/02/05
3153	4822 051 30102	1k 5% 0,062W	/00/02/05

3159	4822 051 30471	470R 5% 0,062W	/00/02/05
3160	4822 051 30331	330R 5% 0,062W	/00/02/05
3161	4822 051 30103	10k 5% 0,062W	/00/02/05
3162	4822 051 30103	10k 5% 0,062W	/00/02/05
3163	4822 051 30102	1k 5% 0,062W	/00/02/05
3164	4822 051 30339	33R 5% 0,062W	
3165	4822 051 30103	10k 5% 0,062W	/00/02/05
3168	4822 051 30339	33R 5% 0,062W	
3169	4822 051 30471	470R 5% 0,062W	/00/02/05
3170	4822 117 12925	47k 1% 0,063W	/00/02/05
3171	4822 051 30221	220R 5% 0,062W	/00/02/05
3173	4822 051 30103	10k 5% 0,062W	/00/02/05
3174	4822 051 30339	33R 5% 0,062W	
3175	4822 051 30339	33R 5% 0,062W	
3176	4822 051 30103	10k 5% 0,062W	/00/02/05
3177	4822 051 30689	68R 5% 0,063W	/00/02/05
3178	4822 117 12925	47k 1% 0,063W	/00/02/05
3179	4822 051 30689	68R 5% 0,063W	/00/02/05
3180	4822 051 30272	2k7 5% 0,062W	/00/02/05
3181	4822 051 30102	1k 5% 0,062W	/00/02/05
3182	4822 051 30272	2k7 5% 0,062W	/00/02/05
3183	4822 051 30102	1k 5% 0,062W	/00/02/05
3184	4822 051 30102	1k 5% 0,062W	
3186	4822 117 12925	47k 1% 0,063W	/00/02/05
3187	4822 117 12925	47k 1% 0,063W	/00/02/05
3189	4822 051 30103	10k 5% 0,062W	
3190	4822 051 30272	2k7 5% 0,062W	/00/02/05
3191	4822 051 30272	2k7 5% 0,062W	/00/02/05
3192	4822 051 30272	2k7 5% 0,062W	/00/02/05
3193	4822 051 30272	2k7 5% 0,062W	/00/02/05
3194	4822 051 30102	1k 5% 0,062W	/00/02/05
3195	4822 051 30223	22k 5% 0,062W	/00/02/05
3196	4822 051 30103	10k 5% 0,062W	
3198	4822 051 30103	10k 5% 0,062W	
3199	4822 051 30759	75R 5% 0,062W	/00/02/05
3200	4822 051 30339	33R 5% 0,062W	
3202	4822 051 30339	33R 5% 0,062W	
3203	4822 051 30472	4k7 5% 0,062W	
3204	4822 051 30339	33R 5% 0,062W	
3205	4822 117 13632	100k 1% 0,62W	
3206	4822 051 30472	4k7 5% 0,062W	
3207	4822 051 30339	33R 5% 0,062W	
3209	4822 051 30339	33R 5% 0,062W	
3210	4822 117 12891	220k 1%	
3211	4822 117 13632	100k 1% 0,62W	
3212	4822 051 30183	18k 5% 0,062W	
3213	4822 051 30472	4k7 5% 0,062W	
3214	4822 117 11817	1k2 1% 1/16W	
3215	4822 051 30332	3k3 5% 0,062W	
3216	2322 702 60512	RST SM 0603 5k1 PM5	
3217	4822 051 30472	4k7 5% 0,062W	

ELECTRICAL PARTS LIST - AV BOARD

TRANSISTORS & INTEGRATED CIRCUITS

7241	5322 130 60159	BC847B	
7242	5322 130 60159	BC847B	
7243	4822 130 60373	BC857B	/00/02/05
7300	4822 130 42804	BC817-25	
7301	5322 209 86283	IC L7808CP	
7302	4822 130 42804	BC817-25	
7303	9322 182 95668	IC SM LD1117S	
7304	4822 130 42804	BC817-25	
7305	4822 130 42804	BC817-25	
7306	9322 178 05685	FET POW SI2302DS	
7307	4822 130 42804	BC817-25	
7308	5322 130 60159	BC847B	/00/02/05
7309	4822 130 42804	BC817-25	
7310	4822 130 42804	BC817-25	
7311	9322 175 41687	SOC FIB OPT JFJ1000	
7312	4822 130 42804	BC817-25	
7313	9322 178 05685	FET POW SI2302DS	/00/02/05

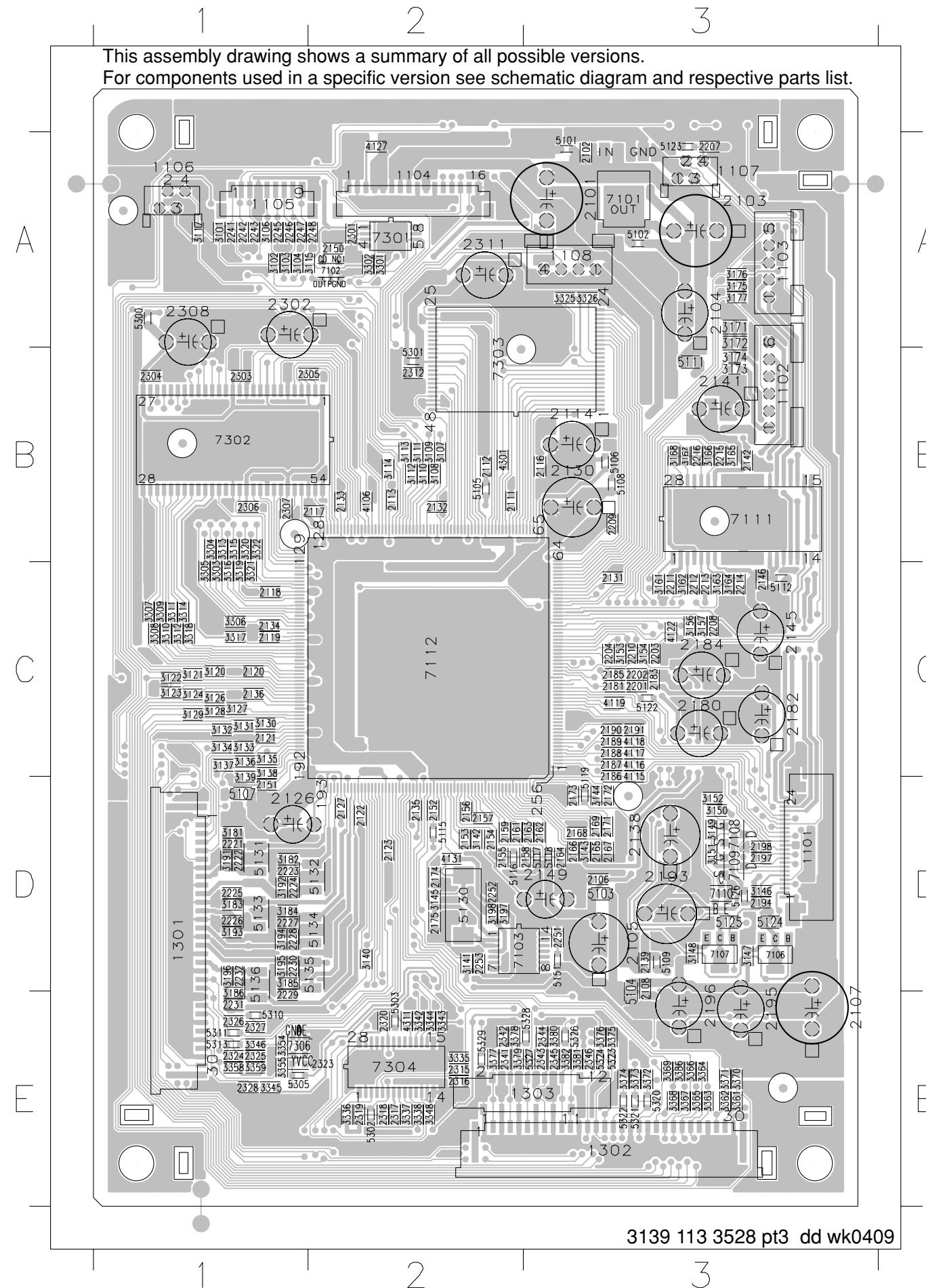
Note : Only the parts mentioned in this list are normal service spare parts.

MODULE SD6.1 PL 6CH

TABLE OF CONTENTS

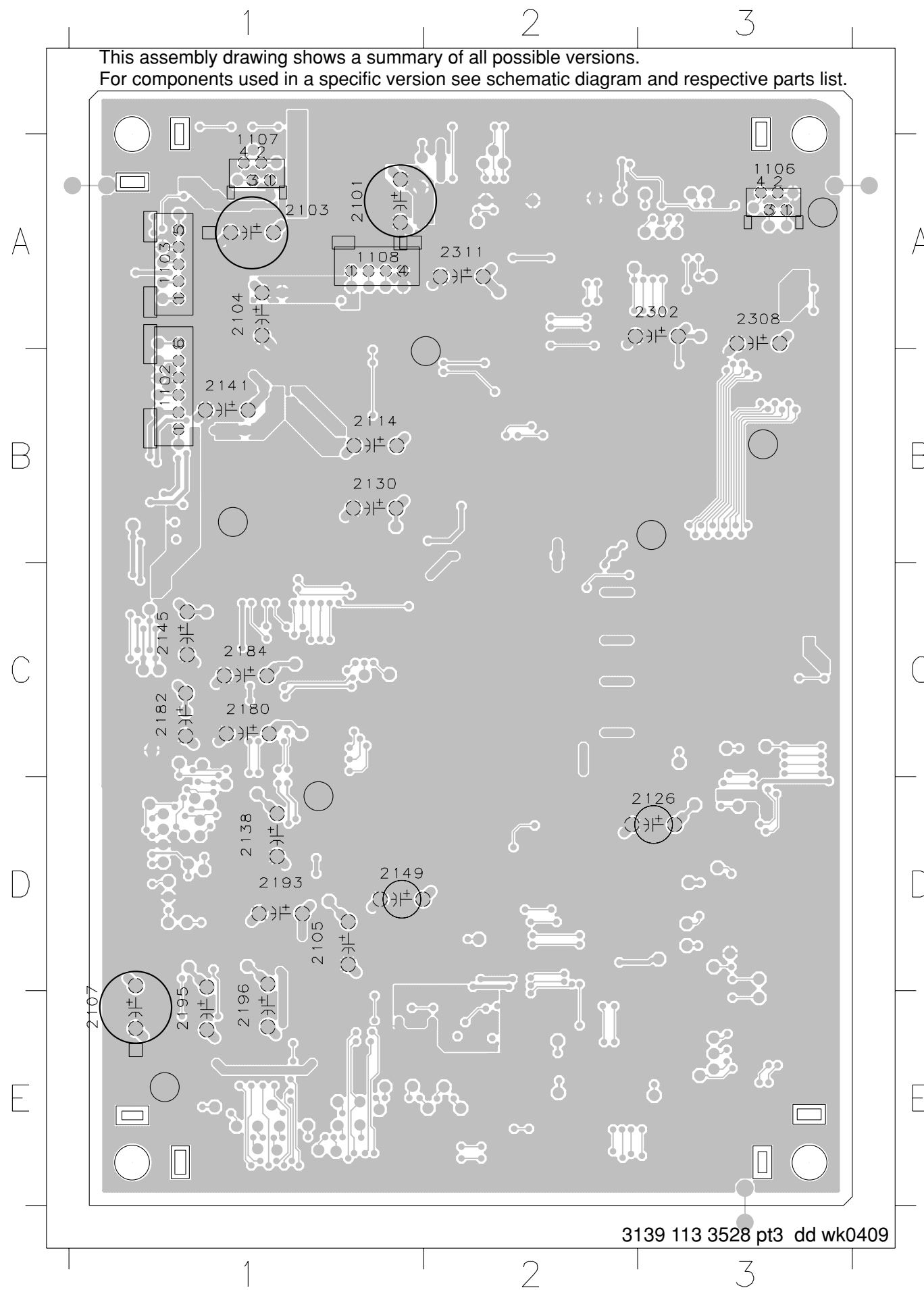
SD6.1 PL 6CH Board - Top View Layout	8-2
SD6.1 PL 6CH Board - Bottom View Layout	8-3
SD6.1 PL 6CH Board - Circuit Diagram (Part 1)	8-4
SD6.1 PL 6CH Board - Circuit Diagram (Part 2)	8-5
Exploded View & parts list	8-6
Electrical parts list	8-7

SD6.1 PL 6CH BOARD - TOP VIEW LAYOUT



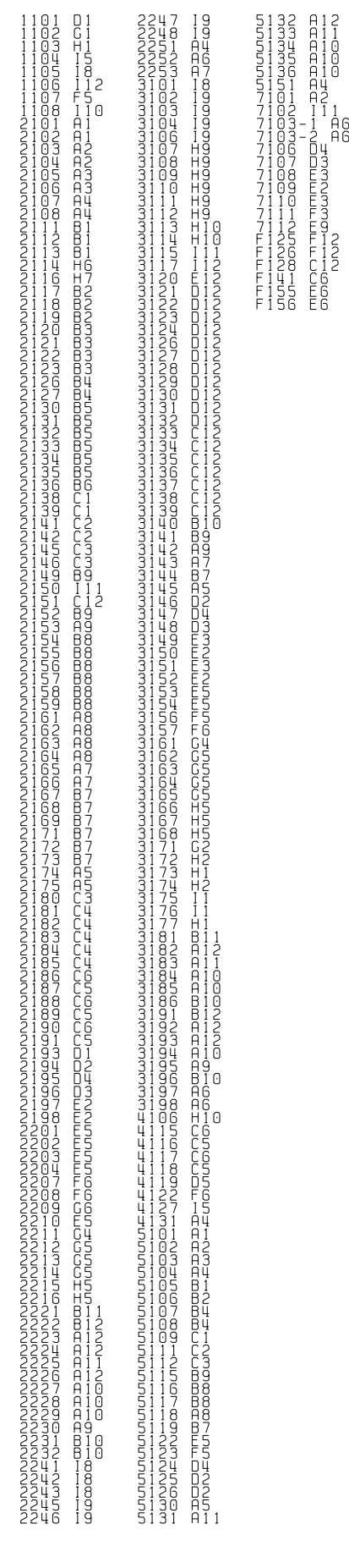
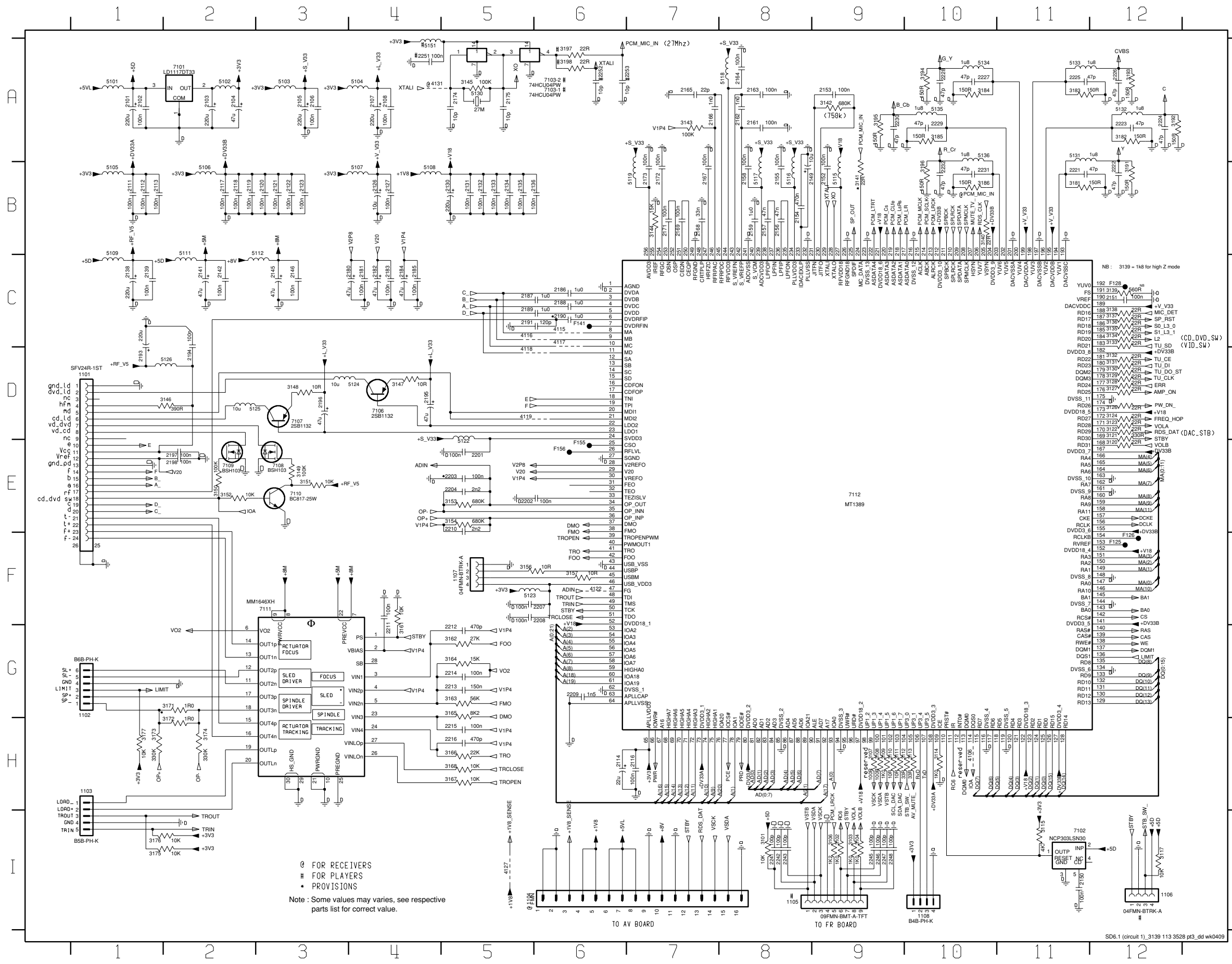
1101	D3	2171	D3	2308	A1	3151	D3	3345	E1	5134	D2
1102	B3	2172	D3	2311	A2	3152	D3	3346	E1	5135	D2
1103	A3	2173	D3	2312	B2	3153	C3	3348	E2	5136	D1
1104	A2	2174	D2	2315	E2	3154	C3	3354	E1	5151	D3
1105	A1	2175	D2	2316	E2	3156	C3	3355	E1	5300	A1
1106	A1	2180	C3	2317	E2	3157	C3	3358	E1	5301	B2
1107	A3	2181	C3	2318	E2	3161	C3	3359	E1	5302	E2
1108	A3	2182	C3	2319	E2	3162	C3	3361	E3	5303	E2
1301	D1	2183	C3	2320	E2	3163	C3	3362	E3	5305	E1
1302	E3	2184	C3	2323	E1	3164	C3	3363	E3	5310	E1
1303	E3	2185	C3	2324	E1	3165	B3	3364	E3	5311	E1
2101	A3	2186	C3	2325	E1	3166	B3	3365	E3	5313	E1
2102	A3	2187	C3	2326	E1	3167	B3	3366	E3	5320	E3
2103	A3	2188	C3	2327	E1	3168	B3	3367	E3	5321	E3
2104	A3	2189	C3	2328	E1	3171	A3	3368	E3	5322	E3
2105	D3	2190	C3	2341	E2	3172	A3	3369	E3	5323	E3
2106	D3	2191	C3	2342	E2	3173	B3	3370	E3	5324	E3
2107	E3	2193	D3	2343	E3	3174	B3	3371	E3	5326	E3
2108	D3	2194	D3	2344	E3	3175	A3	3372	E3	5327	E3
2111	B2	2195	E3	2345	E3	3176	A3	3373	E3	5328	E3
2112	B2	2196	E3	2346	E3	3177	A3	3374	E3	5329	E2
2113	B2	2197	D3	3101	A1	3181	D1	3375	E3	7101	A3
2114	B3	2198	D3	3102	A1	3182	D1	3376	E3	7102	A2
2116	B3	2201	C3	3103	A1	3183	D1	3377	E2	7103	D2
2117	B2	2202	C3	3104	A1	3184	D1	3378	E2	7106	D3
2118	C1	2203	C3	3106	A1	3185	D1	3379	E2	7107	D3
2119	C1	2204	C3	3107	B2	3186	E1	3380	E3	7108	D3
2120	C1	2207	A3	3108	B2	3191	D1	3381	E3	7109	D3
2121	C1	2208	C3	3109	B2	3192	D1	3382	E3	7110	D3
2122	D2	2209	B3	3110	B2	3193	D1	3386	E3	7111	B3
2123	D2	2210	C3	3111	B2	3194	D1	4106	B2	7112	C2
2126	D1	2211	C3	3112	B2	3195	D1	4115	C3	7301	A2
2127	D2	2212	C3	3113	B2	3196	D1	4116	C3	7302	B1
2130	B3	2213	C3	3114	B2	3197	D2	4117	C3	7303	B2
2131	C3	2214	C3	3115	A2	3198	D2	4118	C3	7304	E2
2132	B2	2215	B3	3117	A1	3301	A2	4119	C3	7306	E1
2133	B2	2216	B3	3120	C1	3302	A2	4122	C3		
2134	C1	2221	D1	3121	C1	3303	C1	4127	A2		
2135	D2	2222	D1	3122	C1	3304	B1	4131	D2		
2136	C1	2223	D1	3123	C1	3305	C1	4301	B2		
2138	D3	2224	D1	3124	C1	3306	C1	4311	E2		
2139	D3	2225	D1	3126	C1	3307	C1	5101	A3		
2141	B3	2226	D1	3127	C1	3308	C1	5102	A3		
2142	B3	2227	D1	3128	C1	3309	C1	5103	D3		
2145	C3	2228	D1	3129	C1	3310	C1	5104	E3		
2146	C3	2229	E1	3130	C1	3311	C1	5105	B2		
2149	D3	2230	D1	3131	C1	3312	C1	5106	B3		
2150	A2	2231	E1	3132	C1	3313	B1	5107	D1		
2151	D1	2232	D1	3133	C1	3314	C1	5108	B3		
2152	D2	2241	A1	3134	C1	3315	B1	5109	D3		
2153	D2	2242	A1	3135	C1	3316	C1	5111	B3		
2154	D2	2243	A1	3136	C1	3317	C1	5112	C3		
2155	D2	2245	A1	3137	C1	3318	C1	5115	D2		
2156	D2	2246	A1	3138	C1	3319	C1	5116	D2		
2157	D2	2247	A1	3139	D1	3320	B1	5117	D3		
2158	D3	2248	A2	3140	D2	3321	C1	5118	D3		
2159	D2	2251	D3	3141	D2	3322	B1	5119	D3		
2162	D3	2253	D2	3142	D2	3325	A3	5122	C3		
2163	D3	2301	A2	3144	D3	3326	A3	5123	A3		
2164	D3	2302	A1	3145	D2	3335	E2	5124	D3		
2165	D3	2303	B1	3146	D3	3336	E2	5125	D3		
2166	D3	2304	B1	3147	D3	3337	E2	5126	D3		
2167	D3	2305	B2	3148	D3	3338	E2	5130	D2		
2168	D3	2306	B1	3149	D3	3342	E2	5131	D1		
2169	D3	2307	B1	3150	D3	3343	E2	5132	D2		
						3344	E2	5133	D1		

SD6.1 PL 6CH BOARD - BOTTOM VIEW LAYOUT



- 1102 B1
- 1103 A1
- 1106 A3
- 1107 A1
- 1108 A1
- 2101 A1
- 2103 A1
- 2104 A1
- 2105 D1
- 2107 E1
- 2114 B1
- 2126 D3
- 2130 B1
- 2138 D1
- 2141 B1
- 2145 C1
- 2149 D1
- 2180 C1
- 2182 C1
- 2184 C1
- 2193 D1
- 2195 E1
- 2196 E1
- 2302 A3
- 2308 A3
- 2311 A2

SD6.1 PL 6CH BOARD - CIRCUIT DIAGRAM (PART 1)



SD6.1 (circuit 1)_3139 113 3528 pi3_dd wk0409

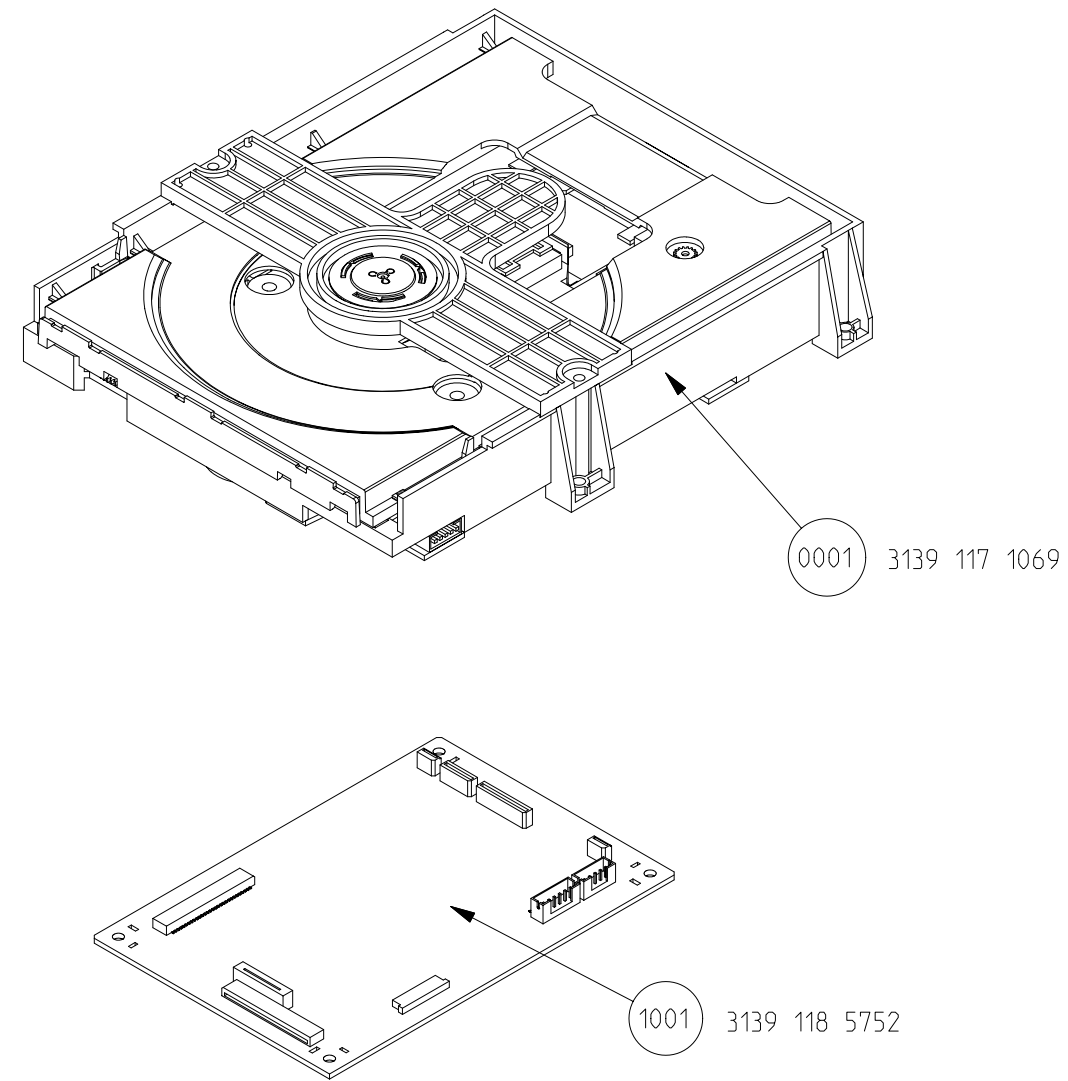
Legend:
 ○ FOR RECEIVERS
 # FOR PLAYERS
 • PROVISIONS

Note: Some values may vary, see respective parts list for correct value.

Legend:
 ○ FOR RECEIVERS
 # FOR PLAYERS
 • PROVISIONS

Note: Some values may vary, see respective parts list for correct value.

EXPLODED VIEW - MODULE SD6.1 PL 6CH



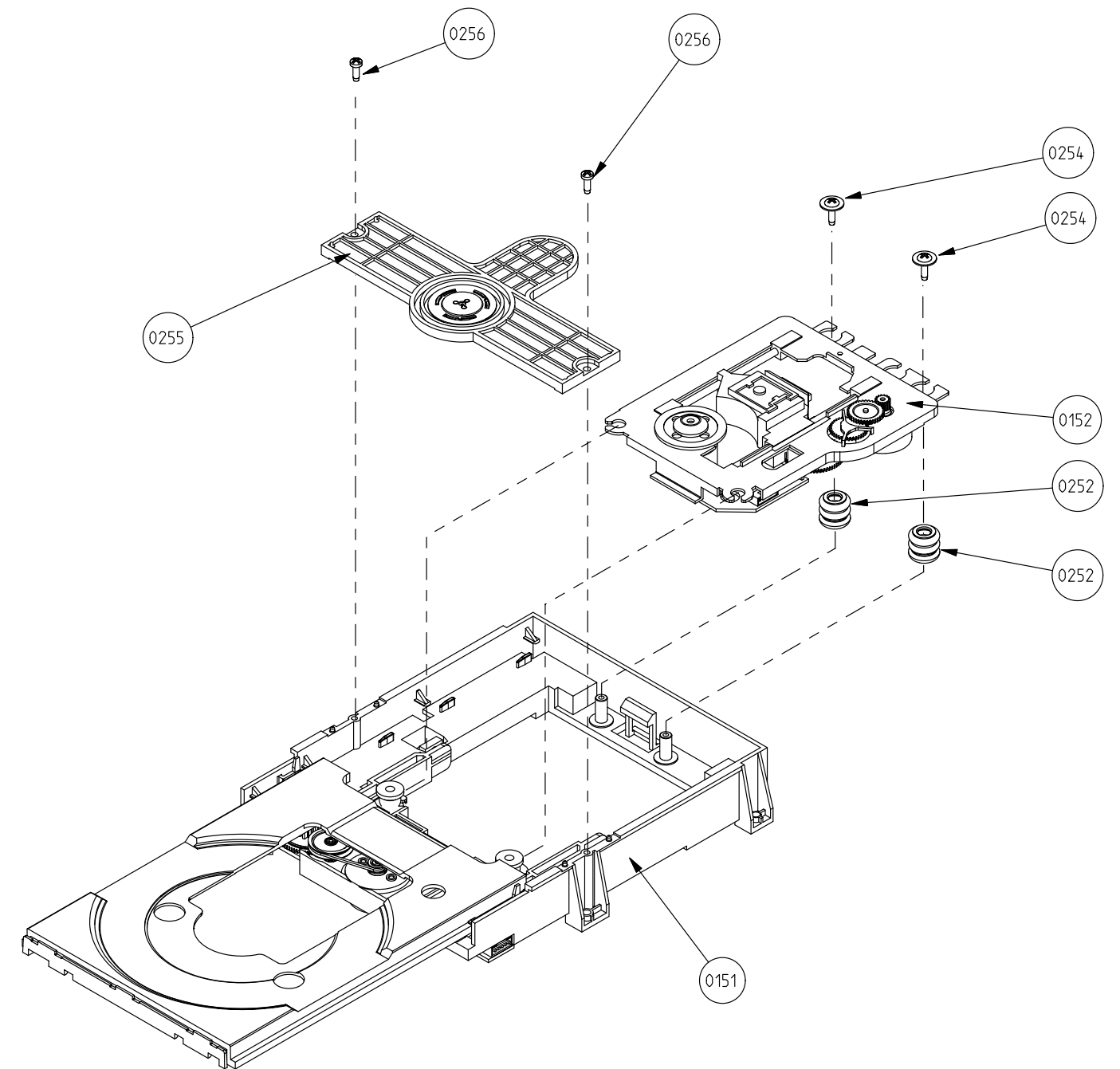
Module SD6.1 PL 6CH_3139 117 10631_dd wk0409

MODULE SD6.1 PL 6CH PARTS LIST

0001	3139 117 10691	Module DVD Loader ASA+DV34 PL
1001	3139 118 57521	PCBAS SD6.1 PL 6CH
1101	3139 111 04021	FFC Foil 24P/220 AD 0.5MMP FLD

Note : Only the parts mentioned in this list are normal service spare parts.

EXPLODED VIEW - MODULE DVD LOADER ASA+DV34 PL



Module DVD Loader ASA+DV34 PL_3139 117 10691_dd wk0409

ELECTRICAL PARTS LIST - SD6.1 PL 6CH BOARD

MISCELLANEOUS

1101	2422 025 17529	Flex Connector 24P
1104	2422 025 16388	Flex Connector 16P
1105	2422 025 17768	Flex Connector 9P
1106	2422 025 16727	Flex Connector 4P
1107	2422 025 16727	Flex Connector 4P
1301	2422 025 17451	Flex Connector 30P
1303	2422 025 18395	Flex Connector 12P

CAPACITORS

2101	3198 029 12210	220uF 20% 10V
2102	2238 586 59812	100nF +80/-20% 50V
2103	3198 029 12210	220uF 20% 10V
2104	4822 124 80231	47uF 20% 16V
2105	4822 124 40196	220uF 20% 16V
2106	2238 586 59812	100nF +80/-20% 50V
2107	3198 029 12210	220uF 20% 10V
2108	2238 586 59812	100nF +80/-20% 50V
2111	2238 586 59812	100nF +80/-20% 50V
2112	2238 586 59812	100nF +80/-20% 50V
2113	2238 586 59812	100nF +80/-20% 50V
2114	4822 124 81151	22uF 50V
2116	2238 586 59812	100nF +80/-20% 50V
2117	2238 586 59812	100nF +80/-20% 50V
2118	2238 586 59812	100nF +80/-20% 50V
2119	2238 586 59812	100nF +80/-20% 50V
2120	2238 586 59812	100nF +80/-20% 50V
2121	2238 586 59812	100nF +80/-20% 50V
2122	2238 586 59812	100nF +80/-20% 50V
2123	2238 586 59812	100nF +80/-20% 50V
2126	4822 124 21732	10uF 20% 25V
2127	2238 586 59812	100nF +80/-20% 50V
2130	4822 124 40196	220uF 20% 16V
2131	2238 586 59812	100nF +80/-20% 50V
2132	2238 586 59812	100nF +80/-20% 50V
2133	2238 586 59812	100nF +80/-20% 50V
2134	2238 586 59812	100nF +80/-20% 50V
2135	2238 586 59812	100nF +80/-20% 50V
2136	2238 586 59812	100nF +80/-20% 50V
2138	4822 124 40196	220uF 20% 16V
2139	2238 586 59812	100nF +80/-20% 50V
2141	4822 124 80231	47uF 20% 16V
2142	2238 586 59812	100nF +80/-20% 50V
2145	4822 124 80231	47uF 20% 16V
2146	2238 586 59812	100nF +80/-20% 50V
2149	4822 124 21732	10uF 20% 25V
2150	2238 586 59812	100nF +80/-20% 50V
2151	2238 586 59812	100nF +80/-20% 50V
2152	2238 586 59812	100nF +80/-20% 50V
2153	2238 586 59812	100nF +80/-20% 50V
2154	3198 017 44740	470nF 10V
2155	2238 586 59812	100nF +80/-20% 50V
2156	3198 017 34730	47nF 16V

2157	3198 017 34730	47nF 16V
2158	2238 586 59812	100nF +80/-20% 50V
2159	3198 017 41050	1uF 10V
2161	2238 586 59812	100nF +80/-20% 50V
2162	5322 126 11578	1nF 10% 50V
2163	2238 586 59812	100nF +80/-20% 50V
2164	2238 586 59812	100nF +80/-20% 50V
2165	4822 122 33761	22pF 5% 50V
2166	5322 126 11578	1nF 10% 50V
2167	2238 586 59812	100nF +80/-20% 50V
2168	4822 126 14549	33nF 16V
2169	2238 586 59812	100nF +80/-20% 50V
2171	2238 586 59812	100nF +80/-20% 50V
2172	2238 586 59812	100nF +80/-20% 50V
2173	2238 586 59812	100nF +80/-20% 50V
2174	4822 126 14223	2,2pF 50V
2175	4822 126 14223	2,2pF 50V
2180	4822 124 80231	47uF 20% 16V
2181	2238 586 59812	100nF +80/-20% 50V
2182	4822 124 80231	47uF 20% 16V
2183	2238 586 59812	100nF +80/-20% 50V
2184	4822 124 80231	47uF 20% 16V
2185	2238 586 59812	100nF +80/-20% 50V
2186	3198 017 41050	1uF 10V
2187	3198 017 41050	1uF 10V
2188	3198 017 41050	1uF 10V
2189	3198 017 41050	1uF 10V
2190	3198 017 41050	1uF 10V
2193	4822 124 40196	220uF 20% 16V
2194	2238 586 59812	100nF +80/-20% 50V
2195	4822 124 80231	47uF 20% 16V
2196	4822 124 80231	47uF 20% 16V
2197	2238 586 59812	100nF +80/-20% 50V
2198	2238 586 59812	100nF +80/-20% 50V
2201	2238 586 59812	100nF +80/-20% 50V
2202	2238 586 59812	100nF +80/-20% 50V
2204	4822 126 14238	2,2nF 50V
2207	2238 586 59812	100nF +80/-20% 50V
2208	2238 586 59812	100nF +80/-20% 50V
2209	4822 126 14247	1,5nF 50V
2210	4822 126 14238	2,2nF 50V
2211	2238 586 59812	100nF +80/-20% 50V
2212	4822 126 13881	470pF 5% 50V
2213	3198 017 31540	150nF 10V
2214	2222 586 18812	100nF 10% 50V
2215	2222 586 18812	100nF 10% 50V
2216	4822 126 13881	470pF 5% 50V
2221	4822 126 11785	47pF 5% 50V
2222	4822 126 11785	47pF 5% 50V
2223	4822 126 11785	47pF 5% 50V
2224	4822 126 11785	47pF 5% 50V
2225	4822 126 11785	47pF 5% 50V

ELECTRICAL PARTS LIST - SD6.1 PL 6CH BOARD

2226	4822 126 11785	47pF 5% 50V
2227	4822 126 11785	47pF 5% 50V
2228	4822 126 11785	47pF 5% 50V
2229	4822 126 11785	47pF 5% 50V
2230	4822 126 11785	47pF 5% 50V
2231	4822 126 11785	47pF 5% 50V
2232	4822 126 11785	47pF 5% 50V
2241	2020 552 94427	100pF 5% 50V
2242	2020 552 94427	100pF 5% 50V
2243	2020 552 94427	100pF 5% 50V
2245	2020 552 94427	100pF 5% 50V
2246	2020 552 94427	100pF 5% 50V
2247	2020 552 94427	100pF 5% 50V
2248	2020 552 94427	100pF 5% 50V
2251	2238 586 59812	100nF +80/-20% 50V
2252	4822 122 33741	10pF 10% 50V
2253	4822 122 33741	10pF 10% 50V
2301	2238 586 59812	100nF +80/-20% 50V
2302	4822 124 80231	47uF 20% 16V
2303	2238 586 59812	100nF +80/-20% 50V
2304	2238 586 59812	100nF +80/-20% 50V
2305	2238 586 59812	100nF +80/-20% 50V
2306	2238 586 59812	100nF +80/-20% 50V
2307	2238 586 59812	100nF +80/-20% 50V
2308	4822 124 80231	47uF 20% 16V
2311	4822 124 80231	47uF 20% 16V
2312	2238 586 59812	100nF +80/-20% 50V
2323	2238 586 59812	100nF +80/-20% 50V
2324	4822 122 33761	22pF 5% 50V
2325	4822 122 33761	22pF 5% 50V
2326	4822 122 33761	22pF 5% 50V
2327	4822 122 33761	22pF 5% 50V
2328	4822 122 33761	22pF 5% 50V
2341	4822 122 33761	22pF 5% 50V
2342	4822 122 33761	22pF 5% 50V
2343	4822 122 33761	22pF 5% 50V
2344	4822 122 33761	22pF 5% 50V
2345	4822 122 33761	22pF 5% 50V
2346	4822 122 33761	22pF 5% 50V

RESISTORS

3101	4822 051 30103	10k 5% 0,062W
3102	4822 051 30102	1k 5% 0,062W
3103	4822 051 30102	1k 5% 0,062W
3104	4822 051 30102	1k 5% 0,062W
3106	4822 117 11817	1k2 1% 1/16W
3107	4822 051 30102	1k 5% 0,062W
3108	4822 051 30101	100R 5% 0,062W
3109	4822 051 30101	100R 5% 0,062W
3110	4822 051 30109	10R 5% 0,062W
3111	4822 051 30109	10R 5% 0,062W
3112	4822 051 30339	33R 5% 0,062W

3113	4822 051 30339	33R 5% 0,062W
3114	4822 051 30102	1k 5% 0,062W
3115	4822 051 30472	4k7 5% 0,062W
3117	4822 051 30103	10k 5% 0,062W
3120	4822 117 12139	22R 5% 0,062W
3121	4822 051 30331	330R 5% 0,062W
3122	4822 117 12139	22R 5% 0,062W
3123	4822 117 12139	22R 5% 0,062W
3124	4822 117 12139	22R 5% 0,062W
3126	4822 117 12139	22R 5% 0,062W
3127	4822 117 12139	22R 5% 0,062W
3128	4822 117 12139	22R 5% 0,062W
3129	4822 117 12139	22R 5% 0,062W
3130	4822 117 12139	22R 5% 0,062W
3131	4822 117 12139	22R 5% 0,062W
3132	4822 117 12139	22R 5% 0,062W
3133	4822 117 12139	22R 5% 0,062W
3134	4822 117 12139	22R 5% 0,062W
3135	4822 117 12139	22R 5% 0,062W
3136	4822 117 12139	22R 5% 0,062W
3137	4822 117 12139	22R 5% 0,062W
3138	4822 117 12139	22R 5% 0,062W
3139	4822 051 30561	560R 5% 0,062W
3142	2322 704 67504	RST SM 0603 RC22H 750k PM1
3143	4822 117 13632	100k 1% 0,62W
3144	4822 051 30153	15k 5% 0,062W
3145	4822 117 13632	100k 1% 0,62W
3146	4822 051 30391	390R 5% 0,062W
3147	4822 051 30109	10R 5% 0,062W
3148	4822 051 30109	10R 5% 0,062W
3149	4822 117 13632	100k 1% 0,62W
3150	4822 117 13632	100k 1% 0,62W
3151	4822 051 30103	10k 5% 0,062W
3152	4822 051 30103	10k 5% 0,062W
3153	4822 051 30684	680k 5% 0,062W
3154	4822 051 30684	680k 5% 0,062W
3156	4822 051 30109	10R 5% 0,062W
3157	4822 051 30109	10R 5% 0,062W
3161	4822 051 30103	10k 5% 0,062W
3162	4822 051 30273	27k 5% 0,062W
3163	4822 051 30563	56k 5% 0,062W
3164	4822 051 30153	15k 5% 0,062W
3165	5322 117 13056	8k2 1% 0,063W
3166	4822 051 30223	22k 5% 0,062W
3167	4822 051 30103	10k 5% 0,062W
3168	4822 051 30103	10k 5% 0,062W
3171	4822 051 20108	1R 5% 0,1W
3173	4822 051 30334	330k 5% 0,062W
3174	4822 051 30334	330k 5% 0,062W
3175	4822 051 30103	10k 5% 0,062W
3176	4822 051 30103	10k 5% 0,062W
3177	4822 051 30103	10k 5% 0,062W

ELECTRICAL PARTS LIST - SD6.1 PL 6CH BOARD

RESISTORS

3181	2322 704 61501	RST SM 0603 RC22H 150R PM1
3182	2322 704 61501	RST SM 0603 RC22H 150R PM1
3183	2322 704 61501	RST SM 0603 RC22H 150R PM1
3184	2322 704 61501	RST SM 0603 RC22H 150R PM1
3185	2322 704 61501	RST SM 0603 RC22H 150R PM1
3186	2322 704 61501	RST SM 0603 RC22H 150R PM1
3191	2322 704 61501	RST SM 0603 RC22H 150R PM1
3192	2322 704 61501	RST SM 0603 RC22H 150R PM1
3193	2322 704 61501	RST SM 0603 RC22H 150R PM1
3194	2322 704 61501	RST SM 0603 RC22H 150R PM1
3195	2322 704 61501	RST SM 0603 RC22H 150R PM1
3196	2322 704 61501	RST SM 0603 RC22H 150R PM1
3197	4822 117 12139	22R 5% 0,062W
3198	4822 117 12139	22R 5% 0,062W
3301	4822 051 30102	1k 5% 0,062W
3302	4822 051 30102	1k 5% 0,062W
3303	4822 051 30109	10R 5% 0,062W
3304	4822 051 30109	10R 5% 0,062W
3305	4822 051 30109	10R 5% 0,062W
3306	4822 051 30109	10R 5% 0,062W
3307	4822 051 30109	10R 5% 0,062W
3308	4822 051 30109	10R 5% 0,062W
3309	4822 051 30109	10R 5% 0,062W
3310	4822 051 30109	10R 5% 0,062W
3311	4822 051 30109	10R 5% 0,062W
3312	4822 051 30109	10R 5% 0,062W
3313	4822 051 30109	10R 5% 0,062W
3314	4822 051 30109	10R 5% 0,062W
3315	4822 051 30339	33R 5% 0,062W
3316	4822 051 30339	33R 5% 0,062W
3317	4822 051 30339	33R 5% 0,062W
3318	4822 051 30339	33R 5% 0,062W
3319	4822 051 30339	33R 5% 0,062W
3320	4822 051 30339	33R 5% 0,062W
3321	4822 051 30339	33R 5% 0,062W
3322	4822 051 30339	33R 5% 0,062W
3325	4822 051 30103	10k 5% 0,062W
3326	4822 051 30339	33R 5% 0,062W
3345	4822 117 12139	22R 5% 0,062W
3346	4822 117 12139	22R 5% 0,062W
3354	4822 051 30102	1k 5% 0,062W
3355	4822 117 12139	22R 5% 0,062W
3358	4822 051 30102	1k 5% 0,062W
3381	4822 051 30109	10R 5% 0,062W
3382	4822 051 30109	10R 5% 0,062W
3386	4822 051 30103	10k 5% 0,062W
4106	4822 051 30008	OR Jumper 0603
4115	4822 051 30008	OR Jumper 0603
4116	4822 051 30008	OR Jumper 0603
4117	4822 051 30008	OR Jumper 0603
4118	4822 051 30008	OR Jumper 0603
4119	4822 051 30008	OR Jumper 0603

COILS & FILTERS

5101	2422 549 45618	IND FXD 0603 EMI 100MHz 60R
5102	2422 549 45618	IND FXD 0603 EMI 100MHz 60R
5103	4822 157 71206	FXD IND 0805 100MHz 600R
5104	4822 157 71206	FXD IND 0805 100MHz 600R
5105	2422 549 43062	FXD IND 0603 100MHz 600R
5106	2422 549 43062	FXD IND 0603 100MHz 600R
5107	4822 157 71206	FXD IND 0805 100MHz 600R
5108	2422 549 45618	IND FXD 0603 EMI 100MHz 60R
5109	2422 549 43062	FXD IND 0603 100MHz 600R
5111	4822 157 71206	FXD IND 0805 100MHz 600R
5112	2422 549 45618	IND FXD 0603 EMI 100MHz 60R
5115	2422 549 43062	FXD IND 0603 100MHz 600R
5116	2422 549 43062	FXD IND 0603 100MHz 600R
5117	2422 549 43062	FXD IND 0603 100MHz 600R
5118	2422 549 43062	FXD IND 0603 100MHz 600R
5119	2422 549 43062	FXD IND 0603 100MHz 600R
5122	2422 549 43062	FXD IND 0603 100MHz 600R
5123	2422 549 45618	IND FXD 0603 EMI 100MHz 60R
5124	3198 018 31090	FXD IND SM 0805 10U PM10
5125	3198 018 31090	FXD IND SM 0805 10U PM10
5126	2422 549 43062	FXD IND 0603 100MHz 600R
5130	2422 543 01393	RES XTL SM27MHz 10PCX8045
5131	3198 018 41880	FXD IND SM 1210 1U8 PM5
5132	3198 018 41880	FXD IND SM 1210 1U8 PM5
5133	3198 018 41880	FXD IND SM 1210 1U8 PM5
5134	3198 018 41880	FXD IND SM 1210 1U8 PM5
5135	3198 018 41880	FXD IND SM 1210 1U8 PM5
5136	3198 018 41880	FXD IND SM 1210 1U8 PM5
5151	2422 549 43062	FXD IND 0603 100MHz 600R
5300	2422 549 43062	FXD IND 0603 100MHz 600R
5301	2422 549 43062	FXD IND 0603 100MHz 600R
5305	2422 549 43062	FXD IND 0603 100MHz 600R
5310	2422 549 43062	FXD IND 0603 100MHz 600R
5311	2422 549 43062	FXD IND 0603 100MHz 600R
5313	2422 549 43062	FXD IND 0603 100MHz 600R
5323	2422 549 43062	FXD IND 0603 100MHz 600R
5326	2422 549 43062	FXD IND 0603 100MHz 600R
5327	2422 549 43062	FXD IND 0603 100MHz 600R
5328	2422 549 43062	FXD IND 0603 100MHz 600R
5329	2422 549 43062	FXD IND 0603 100MHz 600R

TRANSISTORS & INTEGRATED CIRCUITS

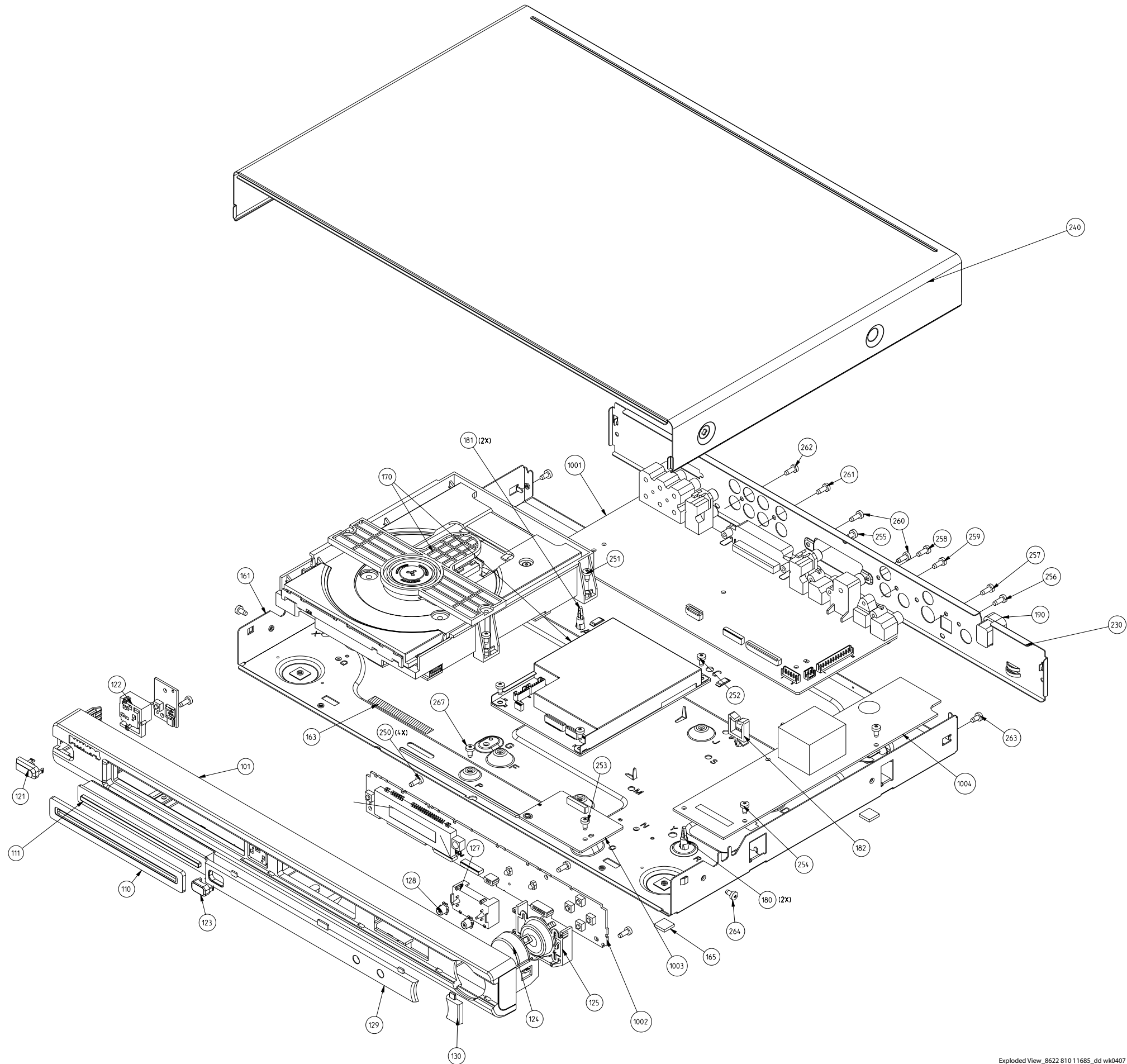
7101	4822 209 17398	IC SM LD1117DT33
7102	9322 165 15685	IC SM NCP303LSN30
7103	9351 875 80118	IC SM 74HCU04PW
7106	4822 130 11565	2SB1132
7107	4822 130 11565	2SB1132

ELECTRICAL PARTS LIST - SD6.1 PL 6CH BOARD

7108	9340 547 13215	FET SIG SM BSH103
7109	9340 547 13215	FET SIG SM BSH103
7110	9340 219 30115	BC817-25W
7111	9322 201 94668	IC SM MM1646XH
7112	9322 203 35671	IC SM MT1389E
7301	9322 189 04668	IC SM M24C16-RDW6
7302	9322 199 38671	IC SM IS42S16400A-7T
7303	3139 110 53711	FLASH + EMBEDDED SW
7306	9352 456 90115	IC SM 74HC1G125GW

Note : Only the parts mentioned in this list are normal service spare parts.

SET MECHANICAL EXPLODED VIEW



MECHANICAL & ACCESSORIES PARTS LIST - MAIN UNIT**SCREW LISTS - MAIN UNIT**

0101	3139 244 04651	Cabinet Front
0105	3139 247 51831	Badge Philips Assy Silver
0110	3139 247 58371	Tray Front
0111	3139 244 05001	Tray Strip
0121	3139 247 58481	Button Standby Top
0122	3139 244 03411	Button Standby Bottom
0123	3139 247 58461	Button Open/Close
0124	3139 247 58442	Button Cluster Top
0125	3139 247 58451	Button Cluster Bottom
0127	3139 244 04621	Guide Light
0128	3139 244 04611	Ring Light
0129	3139 244 04601	Window Centre
0130	3139 247 58621	Window Side
0165	3139 243 10080	Cushion Foot
0180	3139 240 40061	Spacer - 8mm
0181	3139 240 40061	Spacer - 8mm
0190	4822 532 60948	Bush
0333	3139 248 72031	Remote Control
0336	2422 070 98231	△ Mains Cord /00/02
0336	3103 140 25882	△ Mains Cord /05
0336	4822 321 11139	△ Mains Cord /69
0336	2422 070 98233	△ Mains Cord /75
0338	2422 076 00304	Cable Cinch 1M5 YE/RD/WH /69/75
0342	2422 076 00445	△ Cable SCART 1M1 21P BK /00/02/05
1004	3139 248 72061	Module PSU DVD HE 2004 MIT
1101	3139 241 00541	FFC Foil 30P/120/30P AD 1MMP
1102	3139 111 02421	FFC Foil 16P/220/16P AD 1MMP
1103	3139 241 00511	FFC Foil 12P/080/12P AD 1MMP
1104	3139 241 00531	FFC Foil 04P/400/04P AD 1MMP /69/75
1105	3139 241 00521	FFC Foil 09P/140/09P AD 1MMP
1106	3139 241 00551	FFC Foil 16P/100/16P AD 1MMP /00/02/05

250	D3 x 8
251	M3 x 6
252	M3 x 4
253	M3 x 4
254	M3 x 4
255	M3 x 4
256	D3 x 8
257	D3 x 8
258	D3 x 8
259	D3 x 8
260	D3 x 8 /00/02/05
261	D3 x 8
262	D3 x 8
263	M3 x 6
264	M3 x 6
267	M3 x 4

Note : Only the parts mentioned in this list are normal service spare parts.

PSU BOARD

(For Information only)

It is not recommended for component repair on this board but to replace the board when it becomes defective.

Therefore no service parts list is published in this chapter.

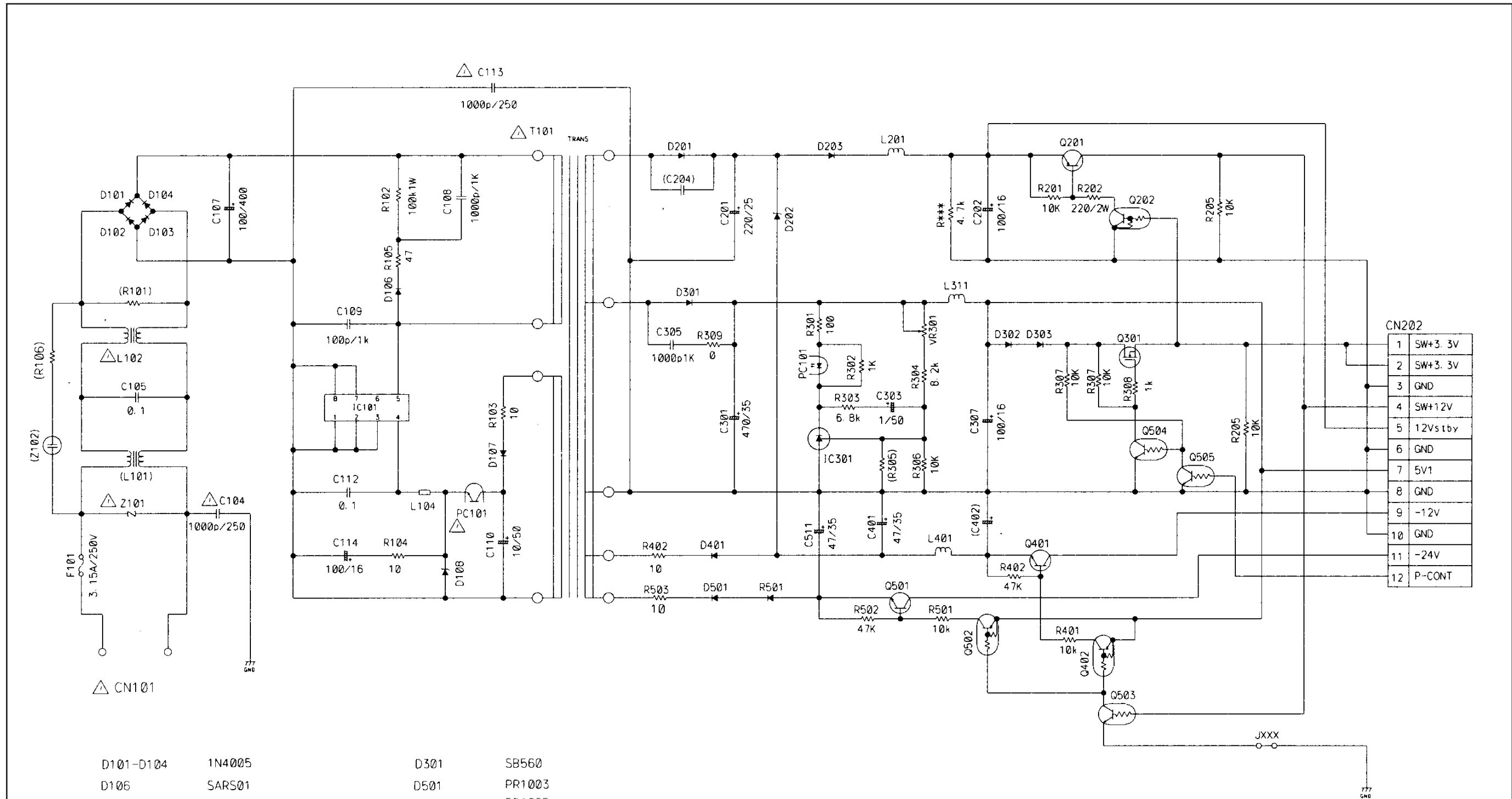
The only service part available for replacement is:

Module PSU DVD HE 2004 MIT 3139 248 72061

TABLE OF CONTENTS

Circuit Diagram 10-2

PSU BOARD - CIRCUIT DIAGRAM



- | | | | |
|-----------|-----------------------|------------|------------------|
| D101-D104 | 1N4005 | D301 | SB560 |
| D106 | SARS01 | D501 | PR1003 |
| D107 | AU02Z, PR1003, FR1003 | D501 | PR1005 |
| D108 | MTZJ7 5 or MA4075 | Q201 | 2SB1592 |
| IC101 | MIP2E4DMY | Q401 | 2SD1768 |
| PC101 | PC123, PS2561 | Q501 | 2PC1815, 2SC1815 |
| | | Q402, Q502 | DTA114 |
| | | Q202, Q503 | DTC114 |
| | | Q504, Q505 | DTC114 |
| | | IC301 | TL431 |
| D201 | D2L20U | | |
| D202 | MTZJ36 or MA4360 | | |
| D203 | 1N4005 | | |

REVISION LIST

Version 1.0 (3139 785 30650)

- * Initial Release DVP720SA/00/02/05/69/75

Version 1.1 (3139 785 30651)

- * Page 5-3 : ECO Board - Electrical parts list adapted
- * Chapter 10 : Additional of Chapter 10 (PSU Board - For Information only)